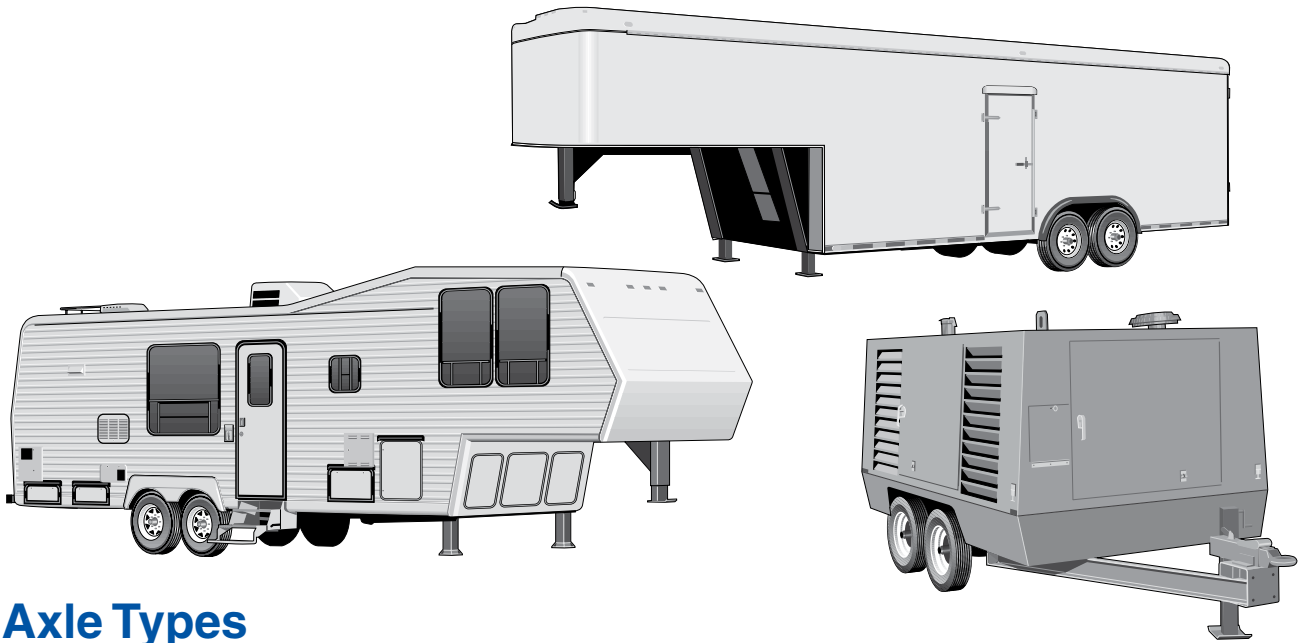




# General Applications

5500 - 7000 LBS. CAPACITY



## Axle Types

### 5500-7000 Lbs. Capacity

- Complete service manual
- Precision machined, forged steel spindles
- Precision machined integral cast iron hub/drums
- 8-bolt and 5 bolt (UTG) hubs available
- Standard grease; optional oil bath; E-Z Lube® or Nev-R-Lube® option
- Press-in wheel studs (8-bolt)
- 12" x 2" electric brakes, CSA approved at 7000 lbs., 12" x 2" hydraulic brakes
- Brakes are available with and without parking feature
- Hydraulic free backing brakes available
- Hydraulic brakes - uni-servo and duo-servo available
- Optional hot dipped galvanized axle beam
- Optional GAL-DEX® coated cast iron hub



### D60 & D70 LEAF SPRING



- High quality alloy steel springs in a variety of capacities
- Single, tandem, or triple axle assemblies with equalized suspensions
- Slipper spring or double eye leaf spring suspension
- Optional hanger and attaching parts kits available
- Durable, wear-resistant components
- Inner wiring system for easier installation and protection of brake wiring
- Heavy wall 3" diameter tube
- Straight or Drop spindles (4" drop only)
- Optional stainless steel wear sleeves for grease seal journal
- Available in drop center V-bend axle beam
- 2 year limited warranty

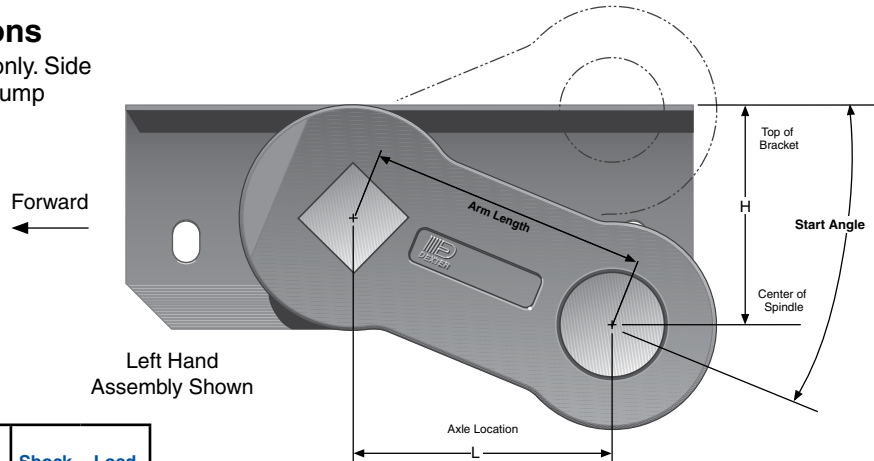
- Totally rubber-cushioned for smooth, quiet, independent ride
- Easy installation with less maintenance
- Less transfer of road shock which insulates cargo from road shocks and vibration
- Self-damping action
- Load-carrying cross member
- Rubber cords compounded for maximum dependability and durability
- Independent wheel suspension system
- 5 year limited warranty on suspension system
- Low profile for maximum road clearance
- Various starting angles to control trailer height
- High and low profile brackets with optional mounting brackets are available
- Rubber cushioning eliminates metal-to-metal contact
- Shock absorption provided by the natural hysteresis of rubber
- Single or tandem axle assemblies
- Durable, wear-resistant components
- Optional stainless steel wear sleeves for grease seal journal
- Available in drop center V-bend axle beam

**CAUTION:** Triple axle assemblies are NOT recommended for #12 Torflex® axles, however the #12T Torflex® axle is designed for triple applications.



## Articulation Dimensions

Dimensions are for top mount only. Side mount is .31" higher. Allow 3" bump clearance from full load.



Left Hand Assembly Shown

Start Angle	Bracket Profile	No Load		Full Load		Shock Load	
		H	L	H	L	H	L
45° Down	Low	6.24	4.24	4.30	5.54	3.17	5.88
	High	6.99	4.24	5.05	5.54	3.92	5.88
32° Down	Low	5.18	5.09	2.99	5.92	1.82	6.00
	High	5.93	5.09	3.74	5.92	2.57	6.00
22.5° Down	Low	4.30	5.54	2.00	6.00	0.83	5.88
	High	5.05	5.54	2.75	6.00	1.58	5.88
10° Down	Low	3.04	5.91	0.70	5.86	-0.42	5.49
	High	3.79	5.91	1.45	5.86	0.33	5.49
0°	Low	2.00	6.00	-0.30	5.54	-1.33	4.99
	High	2.75	6.00	0.45	5.54	-0.58	4.99
10° Up	Low	0.96	5.91	-1.22	5.06	-2.15	4.33
	High	1.71	5.91	-0.47	5.06	-1.40	4.33
22.5° Up	Low	-0.30	5.54	-2.24	4.24	-2.99	3.33
	High	0.45	5.54	-1.49	4.24	-2.24	3.33

### #12 Overhang Per Side

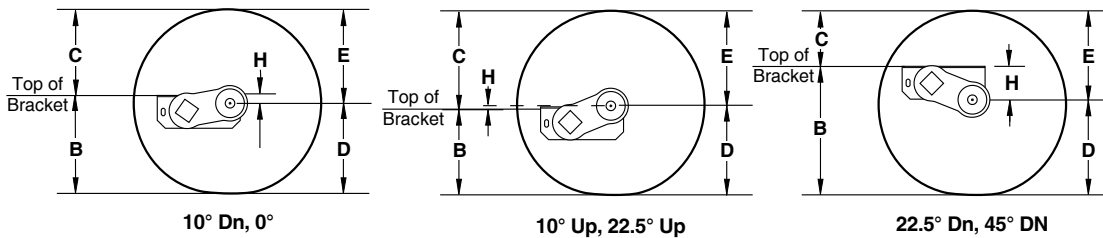
Spindle	Min.	Max.
Short	7.00"	15.20"
Standard	7.50"	15.20"

**Note:** Positive numbers in the H column indicate the spindle is BELOW the top of the bracket. Conversely, negative numbers are ABOVE the top of the bracket.



## Full Load Dimensions

Dimensions are for low profile, top mount only. High profile brackets are .75" higher. Side mount is .31" higher. Allow 3" bump clearance from full load.



### Start Angle

Tire	* **		45° Down			22.5° Down			10° Down			0°			10° Up			22.5° Up		
	D	E	H	B	C	H	B	C	H	B	C	H	B	C	H	B	C	H	B	C
LT235/85R16	14.3	15.4	4.3	18.6	11.1	2.0	16.3	13.4	0.7	15.0	14.7	-0.3	14.0	15.7	-1.2	13.1	16.6	-2.2	12.1	17.6
7.50-16LT	14.9	16.7	4.3	19.2	12.4	2.0	16.9	14.7	0.7	15.6	16.0	-0.3	14.6	17.0	-1.2	13.7	17.9	-2.2	12.7	18.9
9.50-16.5LT	14.1	15.2	4.3	18.4	10.9	2.0	16.1	13.2	0.7	14.8	14.5	-0.3	13.8	15.5	-1.2	12.9	16.4	-2.2	11.9	17.4

Columns D and E are dimensional examples only:

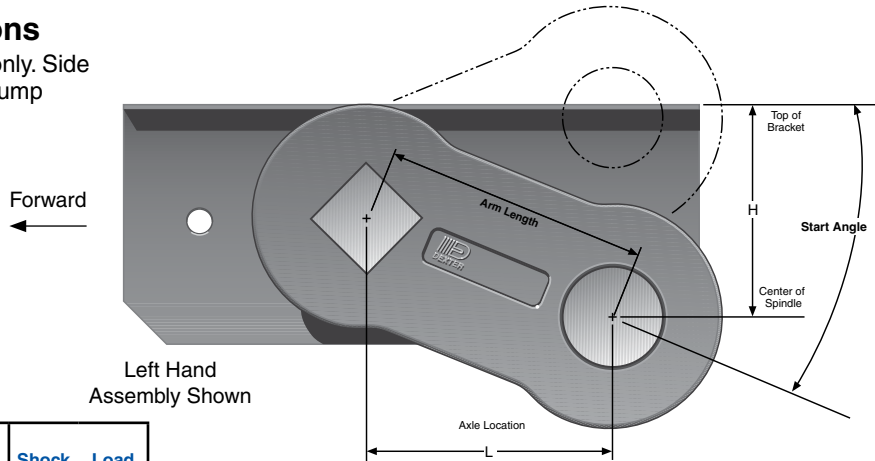
\* D – Static Loaded Radius

\*\* E – Inflated Radius



## Articulation Dimensions

Dimensions are for top mount only. Side mount is .31" higher. Allow 3" bump clearance from full load.



Start Angle	Bracket Profile	No Load		Full Load		Shock Load	
		H	L	H	L	H	L
45° Down	Low	6.49	4.24	4.55	5.54	3.42	5.88
	High	7.18	4.24	5.24	5.54	4.11	5.88
32° Down	Low	5.43	5.09	3.24	5.92	2.07	6.00
	High	6.12	5.09	3.93	5.92	2.76	6.00
22.5° Down	Low	4.55	5.54	2.25	6.00	1.08	5.88
	High	5.24	5.54	2.94	6.00	1.77	5.88
10° Down	Low	3.29	5.91	0.95	5.86	-0.17	5.49
	High	3.98	5.91	1.64	5.86	0.52	5.49
0°	Low	2.25	6.00	-0.05	5.54	-1.08	4.99
	High	2.94	6.00	0.64	5.54	-0.39	4.99
10° Up	Low	1.21	5.91	-0.97	5.06	-1.90	4.33
	High	1.90	5.91	-0.28	5.06	-1.21	4.33
22.5° Up	Low	-0.05	5.54	-1.99	4.24	-2.74	3.33
	High	0.64	5.54	-1.30	4.24	-2.05	3.33

### #12T Overhang Per Side

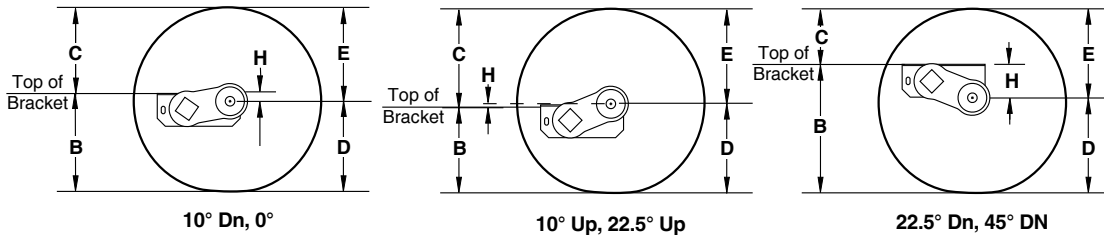
Spindle	Min.	Max.
Short	7.00"	15.20"
Standard	7.50"	15.20"

**Note:** Positive numbers in the H column indicate the spindle is BELOW the top of the bracket. Conversely, negative numbers are ABOVE the top of the bracket.



## Full Load Dimensions

Dimensions are for low profile, top mount only. High profile brackets are .75" higher. Side mount is .31" higher. Allow 3" bump clearance from full load.



### Start Angle

Tire	* D		** E		45° Down			22.5° Down			10° Down			0°			10° Up			22.5° Up		
	D	E	H	B	C	H	B	C	H	B	C	H	B	C	H	B	C	H	B	C		
10R17.5HC	15.6	18.0	4.6	20.2	13.4	2.3	17.9	15.7	1.0	16.6	17.0	-0.1	15.5	18.1	-1.0	14.6	19.0	-2.0	13.6	20.0		
215/75R17.5	14.0	15.3	4.6	18.6	10.7	2.3	16.3	13.0	1.0	15.0	14.3	-0.1	13.9	15.4	-1.0	13.0	16.3	-2.0	12.0	17.3		
12-16.5LT	14.9	15.8	4.6	19.5	11.2	2.3	17.2	13.5	1.0	15.9	14.8	-0.1	14.8	15.9	-1.0	13.9	16.8	-2.0	12.9	17.8		
9.50-16.5LT	14.1	15.2	4.6	18.7	10.6	2.3	16.4	12.9	1.0	15.1	14.2	-0.1	14.0	15.3	-1.0	13.1	16.2	-2.0	12.1	17.2		
9R 17.5HC	15.4	17.1	4.6	20.0	12.5	2.3	17.7	14.8	1.0	16.4	16.1	-0.1	15.3	17.2	-1.0	14.4	18.1	-2.0	13.4	19.1		

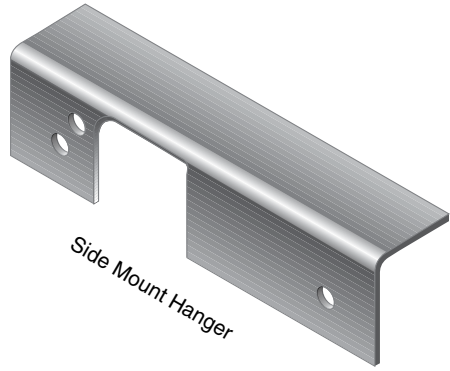
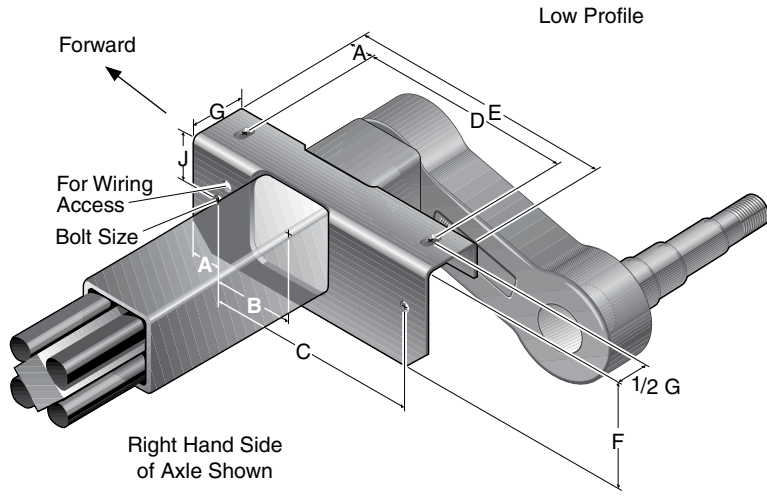
Columns D and E are dimensional examples only:

\* D – Static Loaded Radius

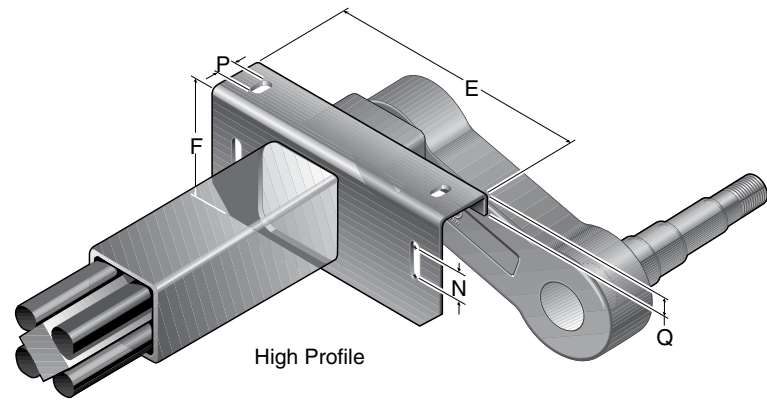
\*\* E – Inflated Radius



## 12 Bracket Dimensions



#12 Bracket Dimensions		
	Low	High
A	1.25	1.25
B	3.50	3.50
C	9.50	9.50
D	9.00	9.00
E	12.00	12.00
F	4.37	5.12
G	2.50	2.50
J	2.06	2.06
N	----	1.03
P	----	1.00
Q	----	1.00
Bolt Size	5/8" bolt	
Tube Size	3.50	3.50

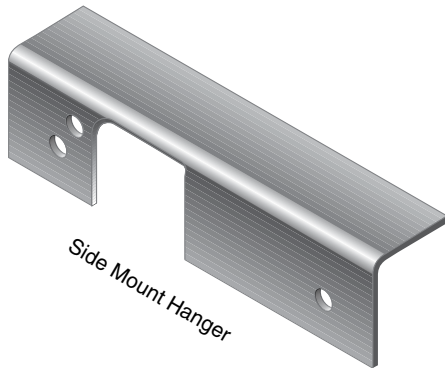
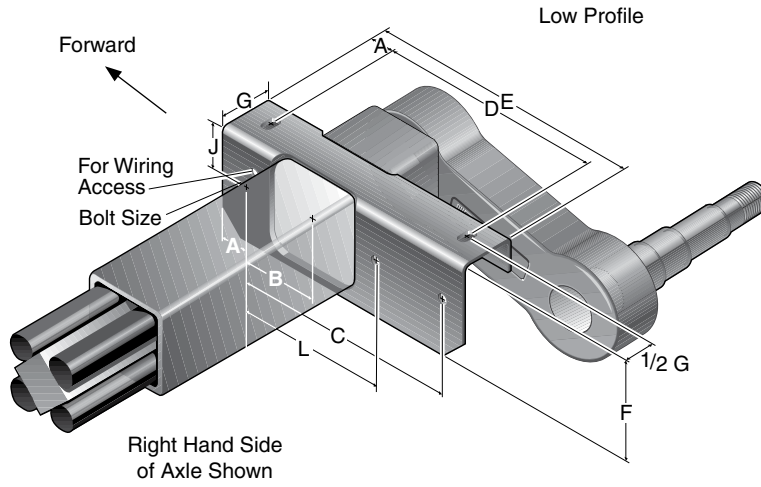




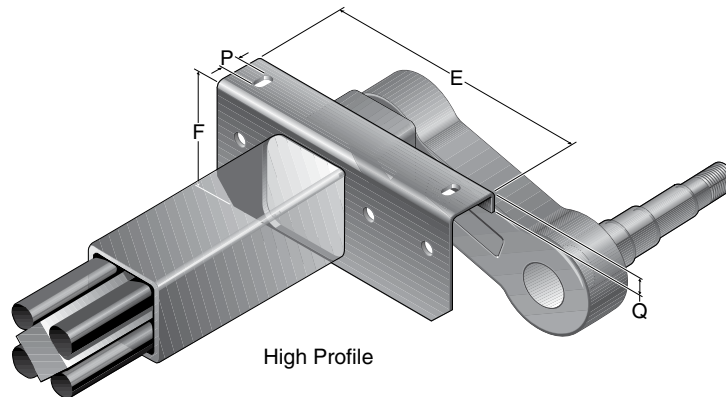
**5500 - 7000 LBS. CAPACITY**



## Bracket Dimensions



#12T Bracket Dimensions		
	Low	High
A	1.22	1.22
B	3.63	3.63
C	10.56	10.56
D	10.56	10.56
E	13.00	13.00
F	4.81	5.50
G	2.50	2.50
J	2.25	2.25
L	7.26	7.26
P	----	1.00
Q	----	1.00
Bolt Size	5/8" bolt	
Tube Size	3.88	3.88



# Leaf Spring Application Information



**5500 - 7000 LBS. CAPACITY**

## Double Eye Springs

**For Standard 33" Axle Spacing**  
 Single A/P-122-00  
 Tandem A/P-233-00  
 Triple A/P-335-00

**Spring Length**

	21"	24"	26"
A	19.62	23.50	25.75
B	25.00	27.50	29.50
C	28.75	31.00	33.00
D	10.62	12.00	13.00
E	28.75	31.00	33.00

**For Optional 35" Axle Spacing**  
 Tandem A/P-264-00  
 Triple A/P-364-00

**Spring Length**

	21"	24"	26"
B	26.00	28.50	30.50
C	30.80	33.00	35.00
D	10.62	12.00	13.00
E	30.80	33.00	35.00

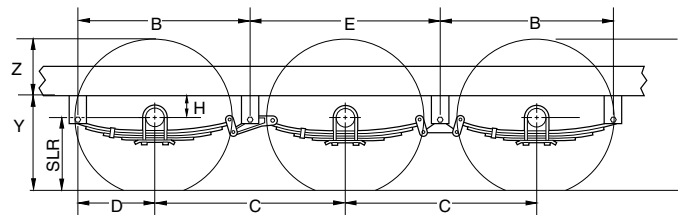
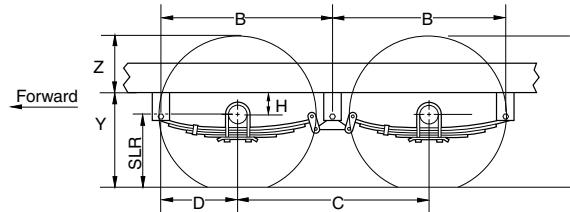
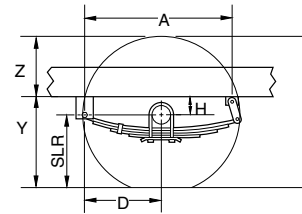
## D60 Overhang Per Side

	Min.	Disc*	Max.
Straight	6.63"	9.00"	10.00"
4" Drop	7.87"	N/A	9.50"
Nev-R-Lube®	6.19"	9.00"	10.00"

\* Minimum overhang with disc brakes

## D70 Overhang Per Side

	Min.	Max.
Straight	6.63"	9.00"
4" Drop	7.87"	9.00"
Nev-R-Lube®	6.37"	9.00"
Disc	8.00"	9.00"



## Double Eye Axle Assemblies

### Hanger Kits

Part No.	Description	Height	Quantity Per Kit				
			HGR-104-00	HGR-105-00	HGR-248-00	HGR-249-00	HGR-348-00
028-005-00	Hanger	3.25"	2	----	4	2	4
028-006-00	Front Hanger	1.44"	----	2	----	----	----
029-008-00	Front Hanger	2.06"	----	----	----	4	----
029-031-00	Center Hanger	3.62"	----	----	2	----	4
030-020-00	Rear Hanger	.91"	2	2	----	----	----

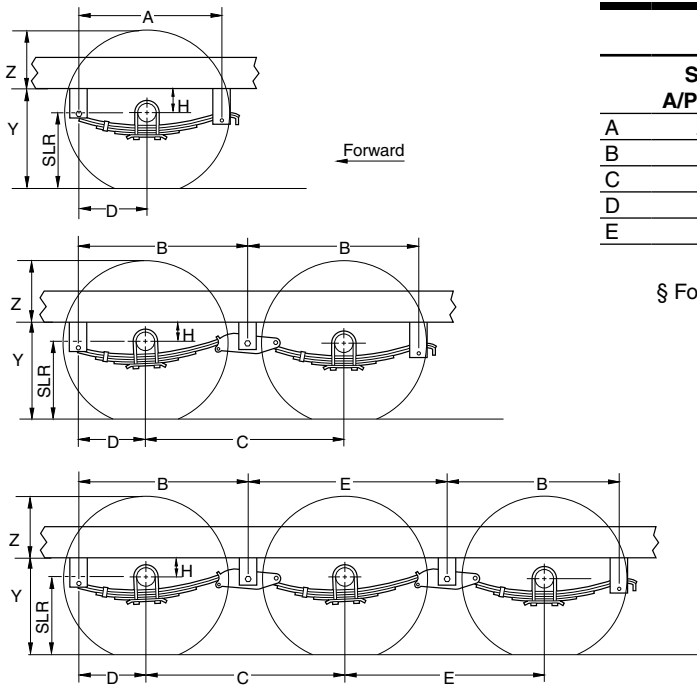
### Attaching Parts Kits

Part No.	Description	A/P-122-00	A/P-233-00	A/P-264-00†	A/P-335-00	A/P-364-00†
006-092-01	Flange Locknut	6	14	14	22	22
007-126-00	Shackle Bolt	2	6	6	10	10
013-104-02	Equalizer	----	2	----	2	----
013-105-02	Equalizer	----	----	----	2	----
013-122-02	Equalizer	----	----	2	----	2
013-126-02	Equalizer	----	----	----	----	2
018-011-00	Shackle Link	----	4	4	6	6
018-012-00	Shackle Link, Long	2	----	----	----	----
018-020-00	Shackle Link Assembly	----	4	4	6	6
018-021-00	Shackle Link Assembly, Long	2	----	----	----	----

† For 35" axle spacing using 26" springs

Note: Common A/P kits are available in marine grade coating.

# Leaf Spring Application Information



## Slipper Springs

	Single	Tandem		Triple	
	A/P-103-00	A/P-202-00 <sup>§</sup>	A/P-216-00 <sup>‡</sup>	A/P-302-00 <sup>§</sup>	A/P-316-00 <sup>‡</sup>
A	24.0	----	----	----	----
B	----	28.8	30.4	28.8	30.4
C	----	33.5	36.0	33.5	36.0
D	11.5	11.5	11.5	11.5	11.5
E	----	----	----	33.0	35.0

**Note:** All 2" wide slipper springs  
<sup>§</sup> For 33.5" axle spacing      <sup>‡</sup> For 36" axle spacing

A, B, E – Hanger Spacing  
 C – Axle Spacing  
 D – Axle Location  
 H – Center of Spindle  
 Y – Frame Height  
 Z – Top of Tire to Bottom of Frame  
 SLR – Static Load Radius

To determine these values, contact your local sales engineer or distributor to run ProSpec™.

## Slipper Spring Axle Assemblies

### Hanger Kits

Part No.	Description	Height	Quantity Per Kit		
			HGR-110-00	HGR-202-00	HGR-302-00
028-001-00	Front Hanger	4.25"	2	2	2
029-001-00	Center Hanger	3.50"	----	2	4
030-028-00	Rear Hanger	4.00"	2	2	2

### Attaching Parts Kits

Part No.	Description	A/P-103-00	A/P-202-00 <sup>§</sup>	A/P-216-00 <sup>‡</sup>	A/P-302-00 <sup>§</sup>	A/P-316-00 <sup>‡</sup>
		006-007-01	1/16-18 Locknut	2	4	4
006-011-00	Keeper Nut	2	4	4	6	6
006-111-00	Equalizer Nut	----	2	2	4	4
007-001-01	Equalizer Bolt	----	2	2	4	4
007-007-00	Keeper Bolt	2	4	4	6	6
007-017-00	Spring Eye Bolt	2	4	4	6	6
013-004-00	Equalizer	----	2	----	4	----
013-044-01	Equalizer	----	----	2	----	4

<sup>§</sup> For 33.5" axle spacing

<sup>‡</sup> For 36" axle spacing

Note: Common A/P kits are available in marine grade coating.

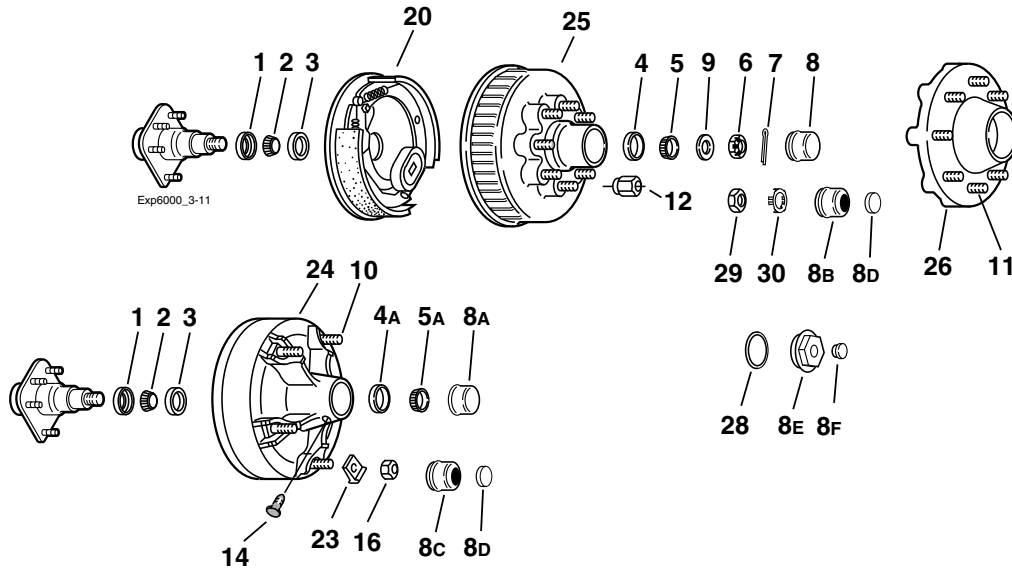
Some combinations of hangers and spring mountings may result in insufficient bump clearance. Refer to the Miscellaneous section for additional hanger kits, A/P kits, or other tires.



# 865 and Demountable Hub Group



**5500 - 7000 LBS. CAPACITY**



## Grease Lube Parts

Item	Part No.	Description
1	010-036-00	E-Z Lube® Seal 2.25"
2	031-030-02	25580 Inner Bearing Cone
3	031-030-01	25520 Inner Bearing Cup
4	031-017-01	14276 Outer Bearing Cup - 865 Hub
4A	031-029-01	15245 Outer Bearing Cup - Demountable
5	031-017-02	14125A Outer Bearing Cone - 865 Hub
5A	031-029-02	15123 Outer Bearing Cone - Demountable
6	006-176-00	Spindle Nut
7	019-002-00	Cotter Pin (not used with E-Z Lube®)
8	021-039-00	Grease Cap - 865 Hub
8A	021-001-00	Grease Cap - Demountable
8B	021-043-01	Grease Cap for E-Z Lube® - 865 Hub
8B	021-043-02	Grease Cap E-Z Lube® Chrome Option - 865 Hub
8C	021-042-01	Grease Cap for E-Z Lube® - Demountable
8C	021-042-02	Grease Cap for E-Z Lube® Chrome Option - Dem.
8D	085-001-00	E-Z Lube® Rubber Plug
9	005-057-00	Spindle Washer
16	006-005-00	5/16-18 Nut for Rim Clamp
23	015-002-00	Rim Clamp
29	006-191-00	Special Jam Nut for E-Z Lube® (after 2002)
30	006-190-00	Spindle Nut Retainer for E-Z Lube® (after 2002)

## Oil Lube Parts

Item	Part No.	Description
1	010-063-00	Oil Seal 2.25"
2	031-030-02	25580 Inner Bearing cone
3	031-030-01	25520 Inner Bearing Cup
4	031-017-01	14276 Outer Bearing Cup - 865 Hub
4	031-029-01	15245 Outer Bearing Cup - Demountable
5	031-029-02	15123 Outer Bearing Cone
5	031-017-02	14125A Outer Bearing Cone
6	006-176-00	Spindle Nut
7	019-002-00	Cotter Pin
8E	021-035-00	Oil Cap - 865 Hub
ns	021-040-00	Oil Cap - Demountable
8F	046-032-00	Oil Cap Plug
9	005-057-00	Spindle Washer
14	046-052-00	Oil Filler Plug - 865 and Demountable
ns	046-032-00	Oil Cap Plug
16	006-005-00	5/16-18 Nut for Rim Clamp
23	015-002-00	Rim Clamp
28	010-045-00	865 'O' Ring
ns	010-059-00	Demountable 'O' Ring

Note: Spindle is not available for resale.

ns - not shown

6 on 5.5 hubs are available on these axles.  
See section in 4100-6000 lbs. capacity.

## Hubs

Item	Part No.	Description	Bolt Circle
<b>Hubs/Drums</b>			
24	008-174-05	Grease 9/16" Stud	Demountable
24	008-174-06	Oil 9/16" Stud	Demountable
25	008-219-04	Grease 1/2" Stud	8 on 6.50
25	008-219-04	Grease 1/2" Stud GAL-DEX® coated	8 on 6.50
25	008-219-13	Grease 9/16" Stud	8 on 6.50
25	008-219-18	Grease 5/8" Stud	8 on 6.50
25	008-219-09	Oil 1/2" Stud	8 on 6.50
25	008-219-20	Oil 9/16" Stud	8 on 6.50
25	008-219-26	Oil 5/8" Stud	8 on 6.50
<b>Plain Hubs</b>			
26	008-231-09	Grease 1/2" Stud	8 on 6.50
26	008-231-09	Grease 1/2" Stud GAL-DEX® coated	8 on 6.50
26	008-231-18	Grease 9/16" Stud	8 on 6.50
26	008-231-20	Grease 5/8" Stud	8 on 6.50
26	008-231-16	Oil 1/2" Stud	8 on 6.50

## Brakes

Item	Part No.	Description
20	K23-105-00/K23-106-00	LH/RH Electric 6K CSA
ns	K23-112-00/K23-113-00	LH/RH Electric w/park 6K CSA
ns	K23-180-00/K23-181-00	LH/RH Electric 7K
ns	K23-338-00/K23-339-00	LH/RH Hydraulic Uni-servo 7K
ns	K23-334-00/K23-335-00	LH/RH Hydraulic Uni-servo 7K w/park
ns	K23-336-00/K23-337-00	LH/RH Hydraulic Duo-servo 7K
ns	K23-332-00/K23-333-00	LH/RH Hydraulic Duo-servo 7K w/park
ns	K23-342-00/K23-343-00	LH/RH Hydraulic Uni-servo 7K FB
ns	K23-340-00/K23-341-00	LH/RH Hydraulic Uni-servo 7K FB w/park
ns	K23-342-01/K23-343-01	LH/RH Hydraulic Uni-servo 7K FB
ns	K23-340-01/K23-341-01	LH/RH Hydraulic Uni-servo 7K FB w/park
ns	K23-458-00/K23-459-00	LH/RH Electric Nev-R-Adjust®

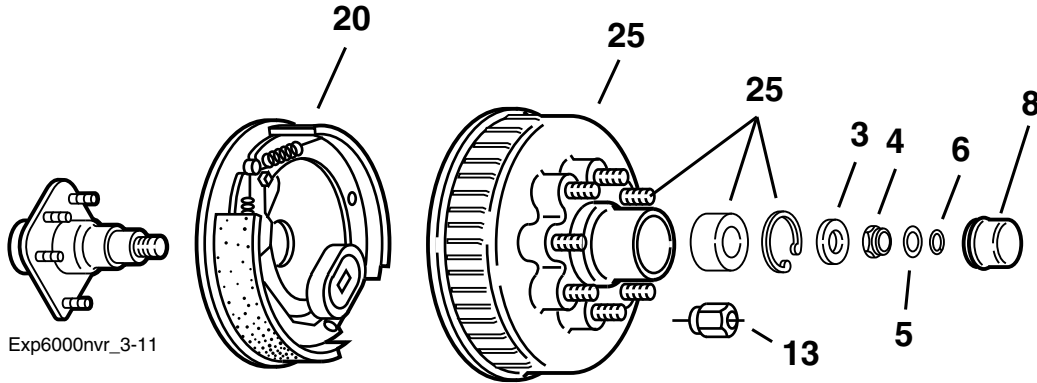
## Studs & Wheel Nuts

Item	Part No.	Description
10	025-011-00	5/16-18 Stud - UTG
11	007-122-00	1/2-20 x 1.84 Long Press-in Stud* (hubs before 1/04)
11	007-262-00	1/2-20 x 2.70 Long Press-in Stud* (hubs after 1/04)
12	006-080-00	1/2-20 60° Cone Nut
ns	007-132-00	5/16-18 Press-in Stud
ns	006-053-00	5/16-18 60° Cone Nut
ns	007-232-00	5/8-18 Press-in Stud
ns	006-109-00	5/8-18 90° Cone Nut

\* Stud length measured under head to end of stud.



# 655 and 865 Nev-R-Lube® Hub Group



## Nev-R-Lube® Parts

Item	Part No.	Description
ns	005-147-01	Spindle Washer, 42mm
3	005-149-00	Spindle Washer, 50mm
4	006-183-00	Spindle Nut
5	092-002-00	Washer, Torque Label
6	069-096-00	Snap Ring
ns	021-085-00	Grease Cap, 42mm
8	021-086-00	Grease Cap, 50mm

## 12" x 2" Brakes

Item	Part No.	Description
20	K23-105-00/K23-106-00	LH/RH Electric
ns	K23-180-00/K23-181-00	LH/RH Electric 7K
ns	K23-338-00/K23-339-00	LH/RH Hydraulic Uni-servo, 7K
ns	K23-334-00/K23-335-00	LH/RH Hydraulic Uni-servo w/park, 7K
ns	K23-336-00/K23-337-00	LH/RH Hydraulic Duo-servo, 7K
ns	K23-332-00/K23-333-00	LH/RH Hydraulic Duo-servo w/park, 7K
ns	K23-342-00/K23-343-00	LH/RH Hydraulic Free Backing, 7K
ns	K23-340-00/K23-341-00	LH/RH Hydraulic 7K FB w/park
ns	K23-326-00/K23-327-00	LH/RH Electric 6K CSA
ns	K23-458-00/K23-459-00	LH/RH Electric Nev-R-Adjust®
ns	K23-466-00/K23-467-00	LH/RH Electric 6K CSA Nev-R-Adjust®

ns - not shown

Note: Spindle is not available for resale.

## Hubs With Bearing and Wheel Studs

Item	Part No.	Description	Bolt Circle
ns	008-388-80	Hub and Drum includes: 007-122-00 ½-20 Press-in Studs 031-073-03 42mm Bearing Cartridge 069-095-00 Bearing Retainer	6 on 5.50
25	008-385-82	Hub and Drum includes: 007-122-00 ½-20 Press-in Studs 031-071-03 50mm Bearing Cartridge 069-093-00 Bearing Retainer	8 on 6.50
ns	008-385-81	Hub and Drum includes: 007-223-00 ¼-18 Press-in Studs 031-071-03 50mm Bearing Cartridge 069-093-00 Bearing Retainer	8 on 6.50
ns	008-385-80	Hub and Drum includes: 007-224-00 ¼-18 Press-in Studs 031-071-03 50mm Bearing Cartridge 069-093-00 Bearing Retainer	8 on 6.50

## Wheel Nuts

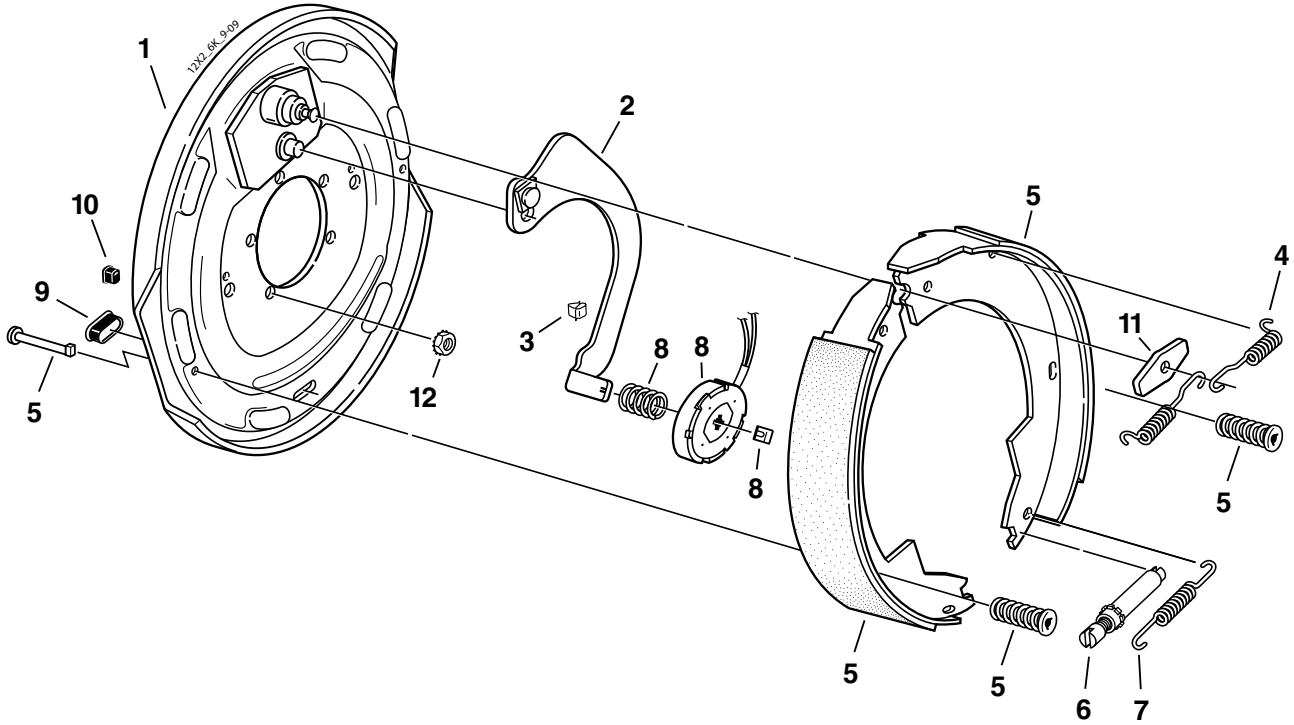
Item	Part No.	Description
13	006-080-00	½-20 60° Cone Nut
ns	006-053-00	¼-18 60° Cone Nut
ns	006-109-00	¼-18 90° Cone Nut

# 12" x 2" Electric Brake



CSA approved at 6000#/14.2 SLR

**5500 - 7000 LBS. CAPACITY**



## Electric Brake 6000# (CSA 6000#)

Item	Part No.	Qty/Brk	Description
0	K23-105-00	1	LH Complete Brake Assembly
0	K23-106-00	1	RH Complete Brake Assembly (shown)
1	036-089-10	1	Backing Plate Assembly
2	047-107-05	1	LH Actuating Lever Arm Assembly
2	047-108-05	1	RH Actuating Lever Arm Assembly
3	027-005-00	2	Wire Clip
4	046-009-00	2	Retractor Spring
5	K71-127-00	1	Shoe & Lining Kit Contains: 1 #040-215-00 Primary Shoe & Lining 1 #040-216-00 Secondary Shoe & Lining 2 #049-011-00 Shoe Hold Down Pin #2 2 #046-077-00 Shoe Hold Down Spring & Cup
6	043-004-00	1	Adjuster Assembly
7	046-018-00	1	Adjusting Screw Spring
8	K71-105-00	1	Magnet Kit Contains: 1 #042-144-00 Magnet (white wire) 1 #027-009-00 Magnet Clip 1 #046-080-00 Magnet Spring
9	046-007-00	2	Adjuster Slot Plug
10	046-016-00	1	Wire Grommet
11	005-067-00	1	Anchor Post Washer
*12	006-193-00	5	Nut Washer Assembly

\* Not included with complete brake assembly. Item sold separately.

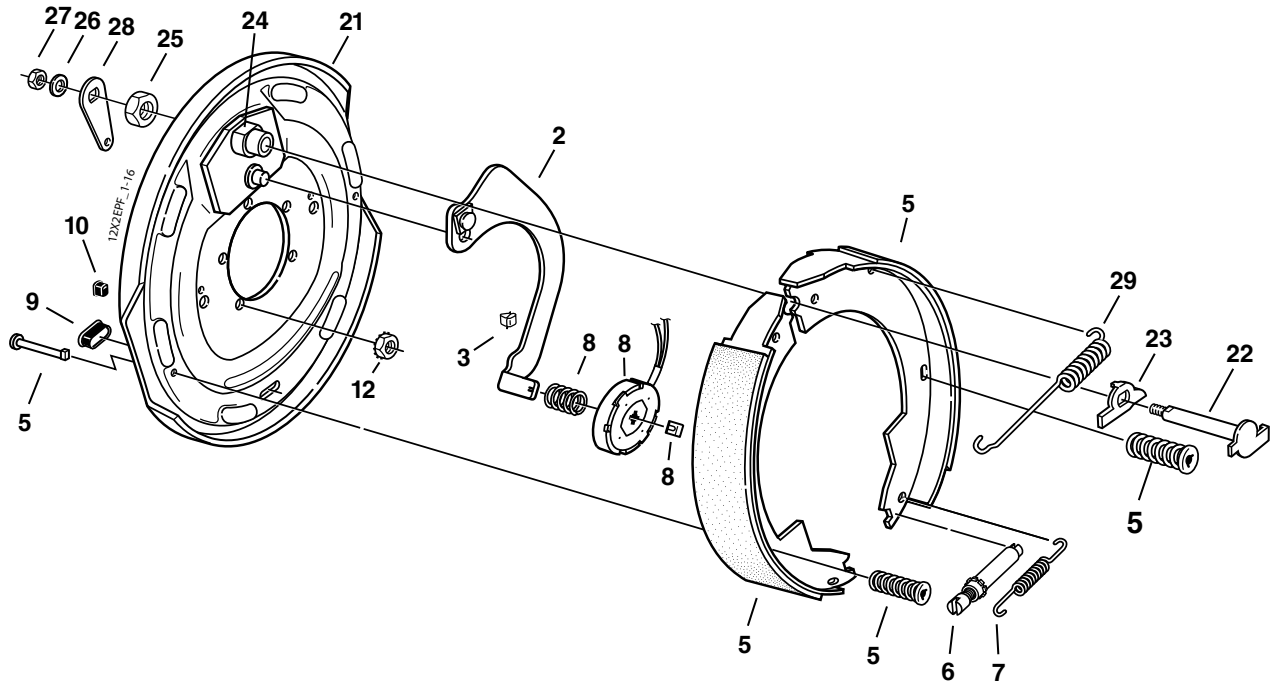
**These brakes are rated to a maximum capacity of 6000 lbs. / pair**

# 12" x 2" Electric Brake With Parking Feature



CSA approved at 6000#/14.2 SLR

**5500 - 7000 LBS. CAPACITY**



## Electric Parking Brake 6000# (CSA 6000#)

Item	Part No.	Qty/Brk	Description
0	K23-112-00	1	LH Complete Brake Assembly
0	K23-113-00	1	RH Complete Brake Assembly (shown)
2	047-107-05	1	LH Actuating Lever Arm Assembly
2	047-108-05	1	RH Actuating Lever Arm Assembly
3	027-005-00	2	Wire Clip
5	K71-127-00	1	Shoe & Lining Kit Contains: 1 #040-215-00 Primary Shoe & Lining 1 #040-216-00 Secondary Shoe & Lining 2 #049-011-00 Shoe Hold Down Pin #2 2 #046-077-00 Shoe Hold Down Spring & Cup
6	043-004-00	1	Adjuster Assembly
7	046-018-00	1	Adjusting Screw Spring
8	K71-105-00	1	Magnet Kit Contains: 1 #042-144-00 Magnet (white wire) 1 #027-009-00 Magnet Clip 1 #046-080-00 Magnet Spring
9	046-007-00	2	Adjuster Slot Plug
10	046-016-00	1	Wire Grommet
*12	006-193-00	5	Nut Washer Assembly
20	036-089-08	1	LH Backing Plate Assembly Complete (includes #21-28)
20	036-089-09	1	RH Backing Plate Assembly Complete (includes #21-28)
21	036-089-06	1	LH Backing Plate Assembly
21	036-089-07	1	RH Backing Plate Assembly
22	039-025-00	1	LH Pivot Pin & Cam Sub-Assembly
22	039-026-00	1	RH Pivot Pin & Cam Sub-Assembly
23	039-048-00	1	LH Actuating Cam
23	039-049-00	1	RH Actuating Cam
24	038-068-00	1	Anchor Post & Bushing Sub-Assembly
25	006-047-00	1	Anchor Post Locknut
26	005-041-00	1	Washer
27	006-011-00	1	Pivot Pin Locknut
28	047-070-00	1	Parking Brake Lever
29	046-005-00	1	Retractor Spring

\* Not included with complete brake assembly. Item sold separately.

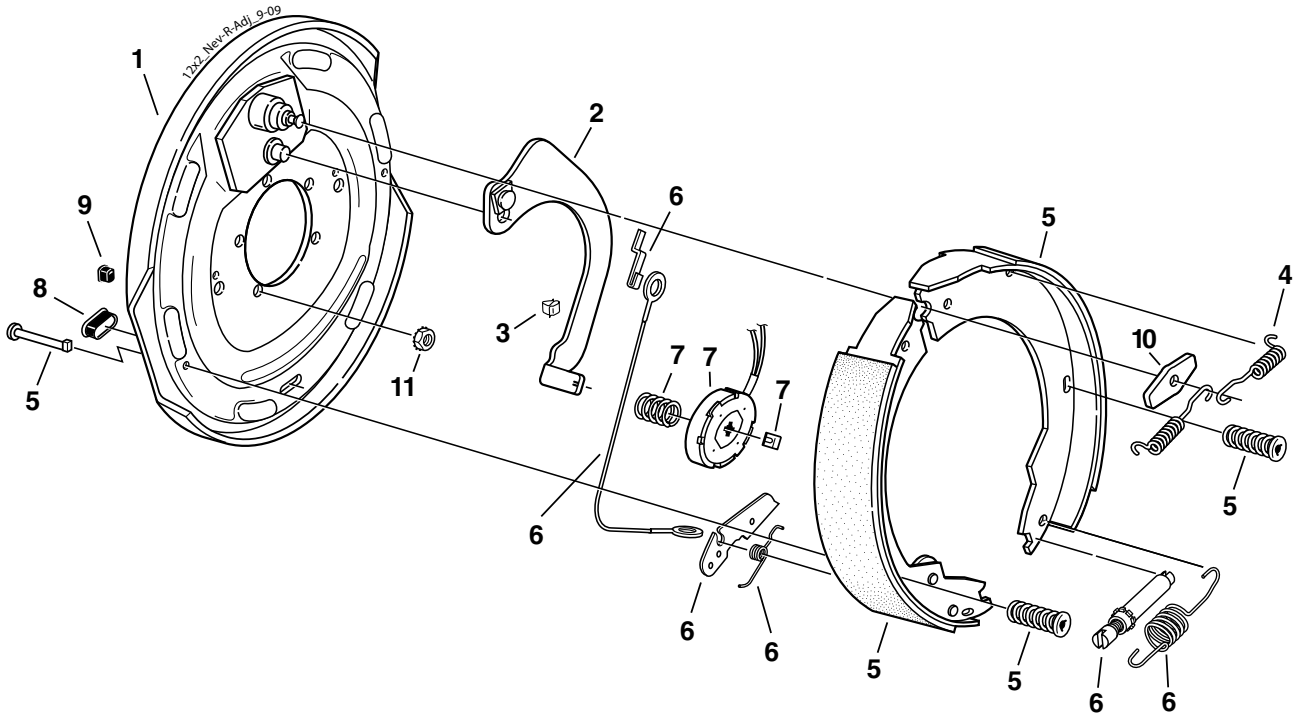
**These brakes are rated to a maximum capacity of 6000 lbs. / pair**

# 12" x 2" Nev-R-Adjust® Electric Brake



CSA approved at 6000#/14.2 SLR

**5500 - 7000 LBS. CAPACITY**



## Electric Brake 6000# (CSA 6000#)

Item	Part No.	Qty/Brk	Description
0	K23-458-00	1	LH Complete Brake Assembly
0	K23-459-00	1	RH Complete Brake Assembly (shown)
1	036-089-10	1	Backing Plate Assembly
2	047-107-05	1	LH Actuating Lever Arm Assembly
2	047-108-05	1	RH Actuating Lever Arm Assembly
3	027-005-00	2	Wire Clip
4	046-009-00	2	Retractor Spring
5	K71-675-00	1	LH Shoe & Lining Kit Contains: 1 #040-215-00 Primary Shoe & Lining 1 #040-216-01 Secondary Shoe & Lining 2 #049-011-00 Shoe Hold Down Pin #2 2 #046-077-00 Shoe Hold Down Spring & Cup
5	K71-676-00	1	RH Shoe & Lining Kit Contains: 1 #040-215-00 Primary Shoe & Lining 1 #040-216-02 Secondary Shoe & Lining 2 #049-011-00 Shoe Hold Down Pin #2 2 #046-077-00 Shoe Hold Down Spring & Cup
6	K71-679-00	1	LH & RH Brake Adjuster Kit Contains: 2 #046-139-00 Adjusting Screw Spring 1 #046-140-00 LH Lever Spring 1 #046-141-00 RH Lever Spring 1 #048-022-00 LH Adjuster Assembly 1 #048-023-00 RH Adjuster Assembly 2 #071-528-00 Adjuster Cable 2 #071-529-00 Hook for Cable 1 #071-530-01 LH Adjusting Lever 1 #071-530-02 RH Adjusting Lever
7	K71-105-00	1	Magnet Kit Contains: 1 #042-144-00 Magnet (white wire) 1 #027-009-00 Magnet Clip 1 #046-080-00 Magnet Spring
8	046-007-00	2	Adjuster Slot Plug
9	046-016-00	1	Wire Grommet
10	005-067-00	1	Anchor Post Washer
*11	006-193-00	5	Nut Washer Assembly

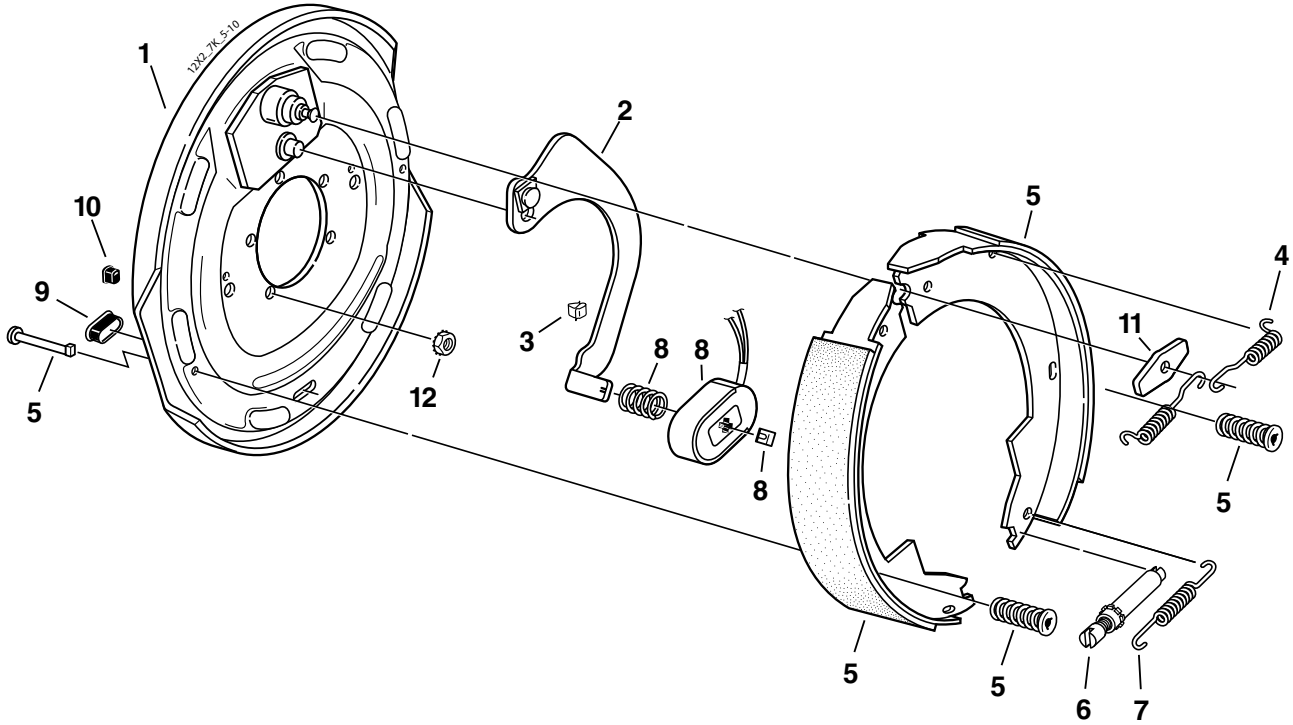
\* Not included with complete brake assembly. Item sold separately.

# 12" x 2" 7K Electric Brake



CSA approved at 7000#/13.8 SLR

**5500 - 7000 LBS. CAPACITY**



## Electric Brake 7000#

Item	Part No.	Qty/Brk	Description
0	K23-180-00	1	LH Complete Brake Assembly
0	K23-181-00	1	RH Complete Brake Assembly (shown)
1	036-089-10	1	Backing Plate Assembly
2	047-107-05	1	LH Actuating Lever Arm Assembly
2	047-108-05	1	RH Actuating Lever Arm Assembly
3	027-005-00	2	Wire Clip
4	046-009-00	2	Retractor Spring
5	K71-127-00	1	Shoe & Lining Kit Contains: 1 #040-215-00 Primary Shoe & Lining 1 #040-216-00 Secondary Shoe & Lining 2 #049-011-00 Shoe Hold Down Pin #2 2 #046-077-00 Shoe Hold Down Spring & Cup
6	043-004-00	1	Adjuster Assembly
7	046-018-00	1	Adjusting Screw Spring
8	K71-125-00	1	Magnet Kit Contains: 1 #042-143-00 Magnet (black wire) 1 #027-009-00 Magnet Clip 1 #046-080-00 Magnet Spring
9	046-007-00	2	Adjuster Slot Plug
10	046-016-00	1	Wire Grommet
11	005-067-00	1	Anchor Post Washer
*12	006-193-00	5	Nut Washer Assembly

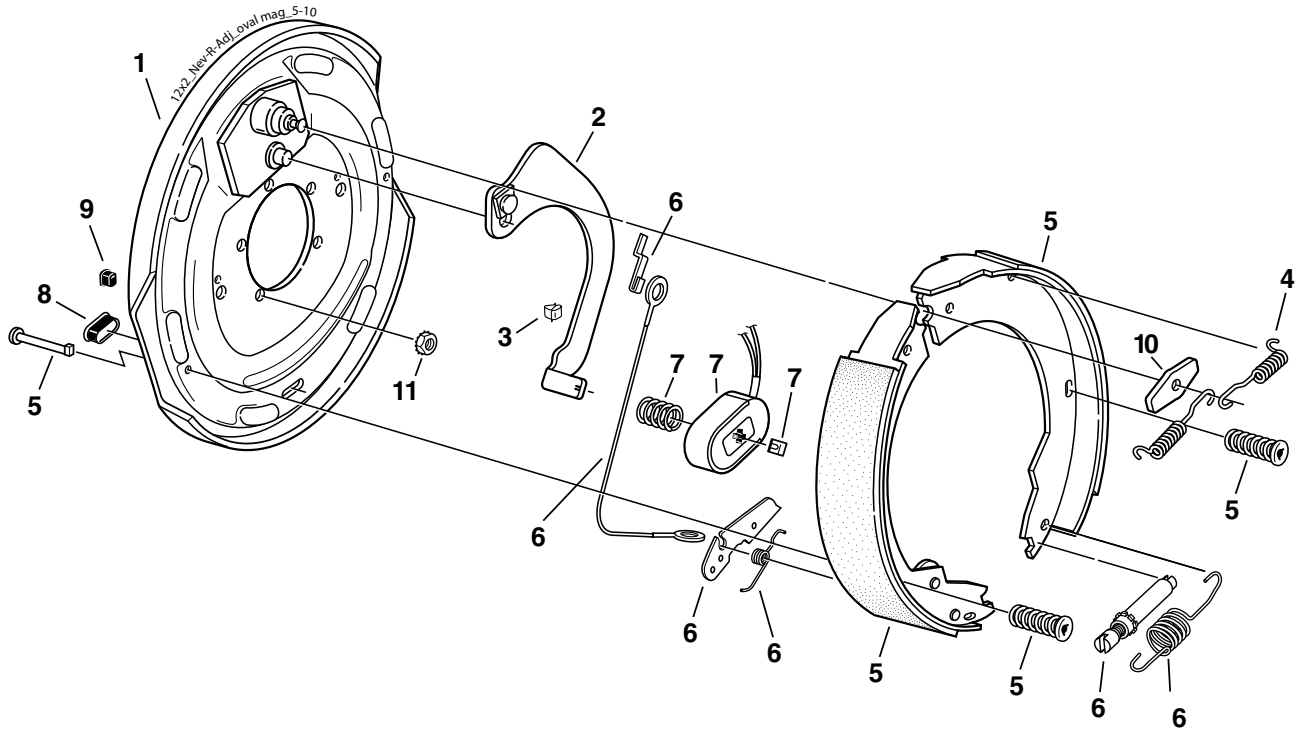
\* Not included with complete brake assembly. Item sold separately.

# 12" x 2" 7K Nev-R-Adjust® Electric Brake



CSA approved at 7000#/13.8 SLR

**5500 - 7000 LBS. CAPACITY**



## Electric Brake 7000#

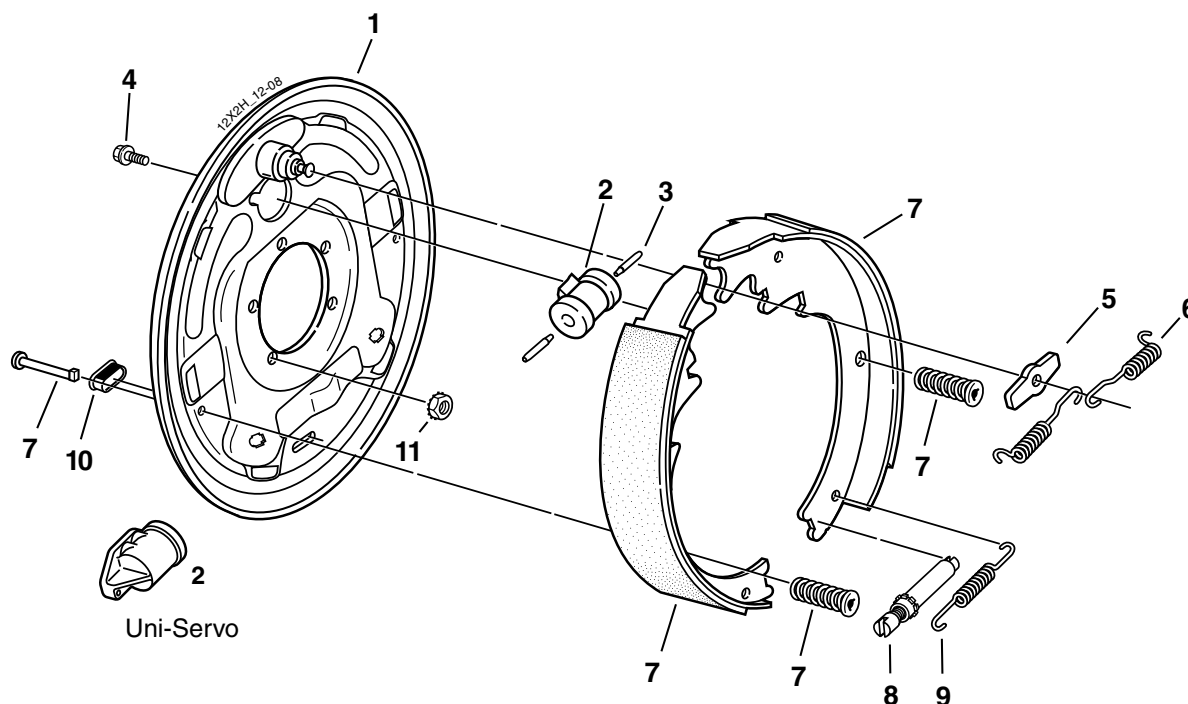
Item	Part No.	Qty/Brk	Description
0	K23-464-00	1	LH Complete Brake Assembly
0	K23-465-00	1	RH Complete Brake Assembly (shown)
1	036-089-10	1	Backing Plate Assembly
2	047-107-05	1	LH Actuating Lever Arm Assembly
2	047-108-05	1	RH Actuating Lever Arm Assembly
3	027-005-00	2	Wire Clip
4	046-009-00	2	Retractor Spring
5	K71-675-00	1	LH Shoe & Lining Kit Contains:
	1 #040-215-00		Primary Shoe & Lining
	1 #040-216-01		Secondary Shoe & Lining
	2 #049-011-00		Shoe Hold Down Pin #2
	2 #046-077-00		Shoe Hold Down Spring & Cup
5	K71-676-00	1	RH Shoe & Lining Kit Contains:
	1 #040-215-00		Primary Shoe & Lining
	1 #040-216-02		Secondary Shoe & Lining
	2 #049-011-00		Shoe Hold Down Pin #2
	2 #046-077-00		Shoe Hold Down Spring & Cup
6	K71-679-00	1	LH & RH Brake Adjuster Kit Contains:
	2 #046-139-00		Adjusting Screw Spring
	1 #046-140-00		LH Lever Spring
	1 #046-141-00		RH Lever Spring
	1 #048-022-00		LH Adjuster Assembly
	1 #048-023-00		RH Adjuster Assembly
	2 #071-528-00		Adjuster Cable
	2 #071-529-00		Hook for Cable
	1 #071-530-01		LH Adjusting Lever
	1 #071-530-02		RH Adjusting Lever
7	K71-125-00	1	Magnet Kit Contains:
	1 #042-143-00		Magnet (black wire)
	1 #027-009-00		Magnet Clip
	1 #046-080-00		Magnet Spring
8	046-007-00	2	Adjuster Slot Plug
9	046-016-00	1	Wire Grommet
10	005-067-00	1	Anchor Post Washer
*11	006-193-00	5	Nut Washer Assembly

\* Not included with complete brake assembly. Item sold separately.



# 12" x 2" Hydraulic Brake

**5500 - 7000 LBS. CAPACITY**



**Note:** Uni-Servo brakes to be used with surge actuator

## Hydraulic Brake 7000#

Item	Part No.	Qty/Brk	Description
0	K23-338-00	1	LH Complete Brake Assembly-US
0	K23-339-00	1	RH Complete Brake Assembly-US (shown)
0	K23-336-00	1	LH Complete Brake Assembly-DS
0	K23-337-00	1	RH Complete Brake Assembly-DS (shown)
1	036-093-08	1	Backing Plate Assembly
2	054-064-00	1	LH Brake Cylinder Uni-Servo
2	054-065-00	1	RH Brake Cylinder Uni-Servo
2	054-062-00	1	LH Brake Cylinder Duo-Servo
2	054-063-00	1	RH Brake Cylinder Duo-Servo
3	054-060-00	1 or 2	Cylinder Push Rod US (1) DS (2)
4	087-001-00	2	Sems (screw & washer assembly)
5	005-113-00	1	Anchor Post Washer
6	046-101-00	2	Retractor Spring
7	K71-269-00	1	LH Shoe & Lining Kit Contains: 1 #040-219-00 LH Primary Shoe & Lining 1 #040-218-02 LH Secondary Shoe & Lining 2 #046-077-00 Shoe Hold Down Spring & Cup 2 #049-012-00 Shoe Hold Down Pin #4
7	K71-270-00	1	RH Shoe & Lining Kit Contains: 1 #040-219-00 RH Primary Shoe & Lining 1 #040-218-01 RH Secondary Shoe & Lining 2 #046-077-00 Shoe Hold Down Spring & Cup 2 #049-012-00 Shoe Hold Down Pin #4
8	043-029-00	1	Adjuster Assembly
9	046-102-00	1	Adjusting Screw Spring
10	046-007-00	1	Adjuster Slot Plug
*11	006-193-00	5	Nut Washer Assembly
ns	054-089-00	1	Bleeder Screw (included with item #2)

ns - not shown

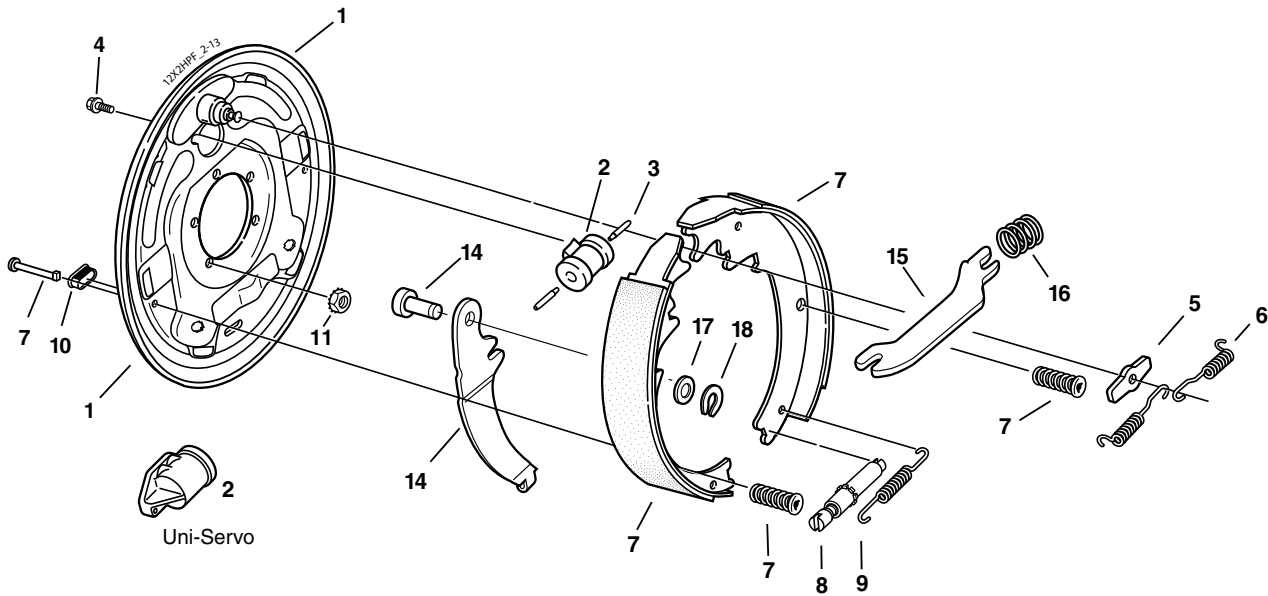
\* Not included with complete brake assembly. Item sold separately.



# 12" x 2" Hydraulic Brake With Parking Feature



**5500 - 7000 LBS. CAPACITY**



**Note:** Uni-Servo brakes to be used with surge actuator

## Hydraulic Parking Brake 7000#

Item	Part No.	Qty/Brk	Description
0	K23-332-00	1	LH Complete Brake Assembly-DS
0	K23-333-00	1	RH Complete Brake Assembly-DS (shown)
0	K23-334-00	1	LH Complete Brake Assembly-US
0	K23-335-00	1	RH Complete Brake Assembly-US (shown)
1	036-093-15	1	LH Backing Plate Assembly
1	036-093-16	1	RH Backing Plate Assembly
2	054-062-00	1	LH Brake Cylinder Duo-Servo
2	054-063-00	1	RH Brake Cylinder Duo-Servo
2	054-064-00	1	LH Brake Cylinder Uni-Servo
2	054-065-00	1	RH Brake Cylinder Uni-Servo
3	054-060-00	1 or 2	Cylinder Push Rod US (1) DS (2)
4	087-001-00	2	Sems (screw & washer assembly)
5	005-113-00	1	Anchor Post Washer
6	046-101-00	2	Retractor Spring
7	K71-269-00	1	LH Shoe & Lining Kit Contains: 1 #040-219-00 Primary Shoe & Lining 1 #040-218-02 Secondary Shoe & Lining 2 #046-077-00 Shoe Hold Down Spring & Cup 2 #049-012-00 Shoe Hold Down Pin #4
7	K71-270-00	1	RH Shoe & Lining Kit Contains: 1 #040-219-00 Primary Shoe & Lining 1 #040-218-01 Secondary Shoe & Lining 2 #046-077-00 Shoe Hold Down Spring & Cup 2 #049-012-00 Shoe Hold Down Pin #4
8	043-029-00	1	Adjuster Assembly
9	046-102-00	1	Adjusting Screw Spring
10	046-007-00	1	Adjuster Slot Plug
*11	006-193-00	5	Nut Washer Assembly
14	047-110-01	1	LH Parking Lever and Pin
14	047-111-01	1	RH parking Lever and Pin
15	047-109-00	1	Parking Strut
16	046-103-00	1	Parking Strut Spring
17	005-112-00	1	Spring Tension Washer
18	069-055-00	1	Retainer
ns	054-089-00	1	Bleeder Screw (included with item #2)
*ns	071-515-00	1	Park Brake Cable

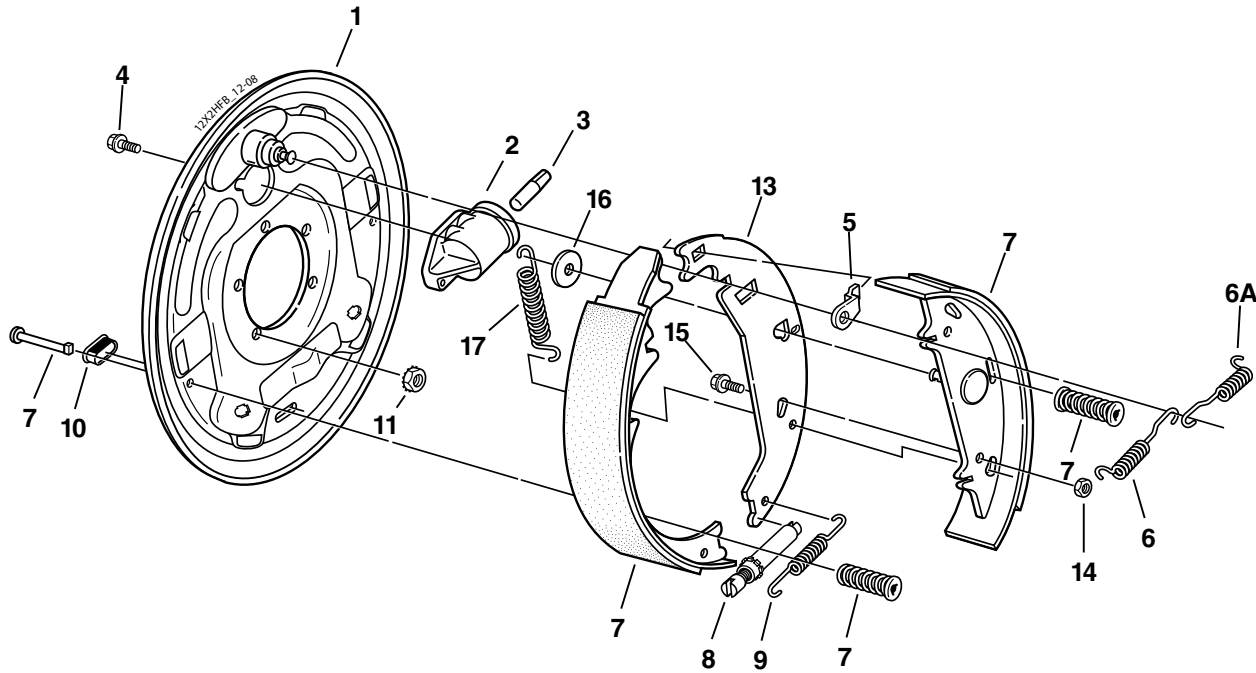
ns - not shown

\* Not included with complete brake assembly. Item sold separately.

# 12" x 2" Hydraulic Brake Free Backing



**5500 - 7000 LBS. CAPACITY**



**Note:** Uni-Servo brakes to be used with surge actuator

## Hydraulic Free Backing Brake

Item	Part No.	Qty/Brk	Description
0	K23-342-00	1	LH Complete Brake Assembly
0	K23-343-00	1	RH Complete Brake Assembly (shown)
1	036-093-08	1	Backing Plate Assembly
2	054-064-00	1	LH Brake Cylinder Uni-Servo
2	054-065-00	1	RH Brake Cylinder Uni-Servo
3	054-060-00	1	Cylinder Push Rod
4	087-001-00	2	Sems (screw & washer assembly)
5	037-069-02	1	Travel Link
6	046-101-00	1	Retractor Spring
6A	046-107-01	1	Shoe Lever Return Spring
7	K71-394-00	1	LH Shoe & Lining Kit Contains:
	1 #040-243-08		LH Primary Shoe & Lining
	1 #040-315-02		LH Secondary Shoe & Lining
	1 #046-077-00		Shoe Hold Down Spring & Cup-Sec.
	2 #035-001-00		Shoe Hold Down Cup-Primary
	1 #046-006-00		Shoe Hold Down Spring-Primary
	1 #049-013-00		Shoe Hold Down Pin #1-Primary
	1 #049-002-00		Shoe Hold Down Pin #8-Sec.
7	K71-395-00	1	RH Shoe & Lining Kit Contains:
	1 #040-243-09		RH Primary Shoe & Lining
	1 #040-315-01		RH Secondary Shoe & Lining
	1 #046-077-00		Shoe Hold Down Spring & Cup-Sec.
	2 #035-001-00		Shoe Hold Down Cup-Primary
	1 #046-006-00		Shoe Hold Down Spring-Primary
	1 #049-013-00		Shoe Hold Down Pin #1-Primary
	1 #049-002-00		Shoe Hold Down Pin #8-Sec.
8	043-028-00	1	Adjuster Assembly
9	046-123-00	1	Adjusting Screw Spring
10	046-007-00	1	Adjuster Slot Plug
*11	006-193-00	5	Nut Washer Assembly
13	040-244-01	1	Shoe Lever
14	006-011-00	1	Locknut
15	007-210-00	1	Screw
16	005-064-00	1	Washer
17	046-108-01	1	Primary Shoe Return Spring
ns	054-089-00	1	Bleeder Screw (included with item #2)

ns - not shown

\* Not included with complete brake assembly. Item sold separately.

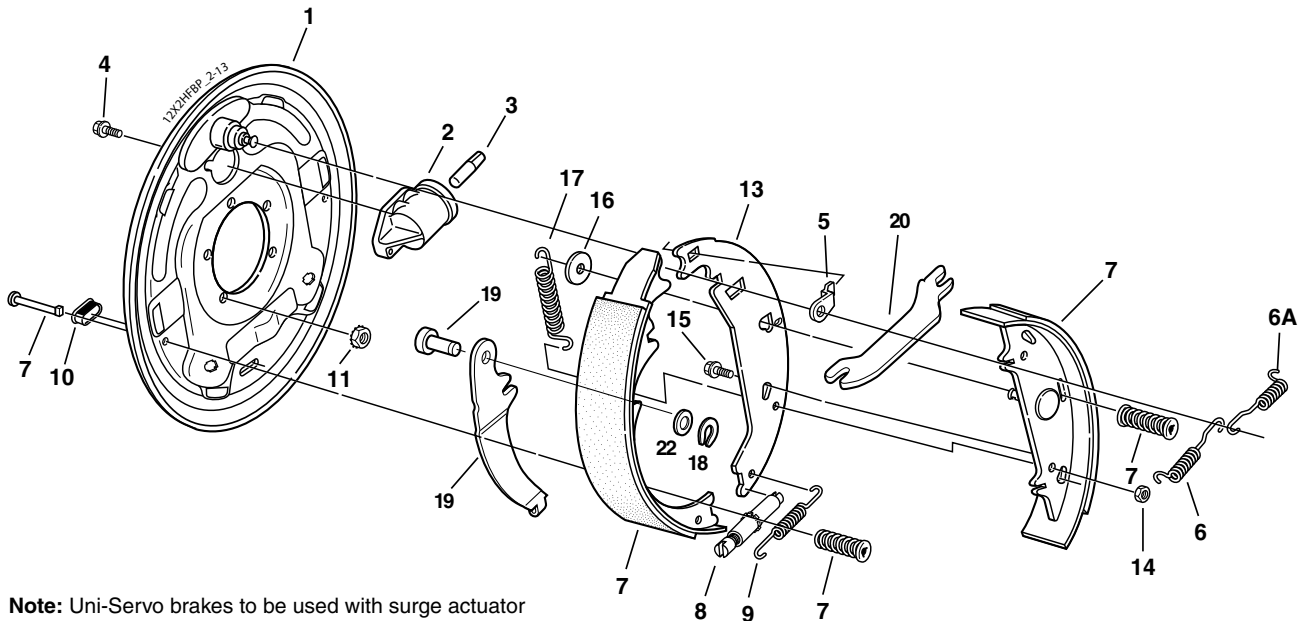
## Hydraulic Free Backing Brake Corrosion Resistant

Item	Part No.	Qty/Brk	Description
0	K23-342-01	1	LH Complete Brake Assembly
0	K23-343-01	1	RH Complete Brake Assembly
1	036-093-09	1	Backing Plate Assembly
2	054-064-01	1	LH Brake Cylinder Uni-Servo
2	054-065-01	1	RH Brake Cylinder Uni-Servo
3	054-060-00	1	Cylinder Push Rod
4	087-001-00	2	Sems (screw & washer assembly)
5	037-069-02	1	Travel Link
6	046-101-00	1	Retractor Spring
6A	046-107-03	1	Shoe Lever Return Spring
7	K71-427-00	1	LH Shoe & Lining Kit Contains:
	1 #040-243-06		LH Primary Shoe & Lining
	1 #040-315-06		LH Secondary Shoe & Lining
	1 #046-077-01		Shoe Hold Down Spring & Cup-Sec.
	2 #035-001-00		Shoe Hold Down Cup-Primary
	1 #046-006-01		Shoe Hold Down Spring & Cup-Prim.
	1 #049-013-00		Shoe Hold Down Pin #1-Primary
	1 #049-002-00		Shoe Hold Down Pin #8-Sec.
7	K71-428-00	1	RH Shoe & Lining Kit Contains:
	1 #040-243-07		RH Primary Shoe & Lining
	1 #040-315-05		RH Secondary Shoe & Lining
	1 #046-077-01		Shoe Hold Down Spring & Cup-Sec.
	2 #035-001-00		Shoe Hold Down Cup-Primary
	1 #046-006-01		Shoe Hold Down Spring & Cup-Prim.
	1 #049-013-00		Shoe Hold Down Pin #1-Primary
	1 #049-002-00		Shoe Hold Down Pin #8-Sec.
8	043-028-00	1	Adjuster Assembly
9	046-123-01	1	Adjusting Screw Spring
10	046-007-00	1	Adjuster Slot Plug
*11	006-193-00	5	Nut Washer Assembly
13	040-244-02	1	Shoe Lever
14	006-011-00	1	Locknut
15	007-210-00	1	Screw
16	005-064-00	1	Washer
17	046-108-03	1	Primary Shoe Return Spring
ns	054-089-00	1	Bleeder Screw (included with item #2)

# 12" x 2" Hydraulic Brake Free Backing With Parking Feature



**5500 - 7000 LBS. CAPACITY**



**Note:** Uni-Servo brakes to be used with surge actuator

## Hydraulic Free Backing Parking Brake

Item	Part No.	Qty/Brk	Description
0	K23-340-00	1	LH Complete Brake Assembly
0	K23-341-00	1	RH Complete Brake Assembly (shown)
1	036-093-15	1	LH Backing Plate Assembly
1	036-093-16	1	RH Backing Plate Assembly
2	054-064-00	1	LH Brake Cylinder Uni-Servo
2	054-065-00	1	RH Brake Cylinder Uni-Servo
3	054-060-00	1	Cylinder Push Rod
4	087-001-00	2	Sems (screw & washer assembly)
5	037-069-02	1	Travel Link
6	046-101-00	1	Retractor Spring
6A	046-107-01	1	Shoe Lever Return Spring
7	K71-394-00	1	LH Shoe & Lining Kit Contains:
	1 #040-243-08		LH Primary Shoe & Lining
	1 #040-315-02		LH Secondary Shoe & Lining
	1 #046-077-00		Shoe Hold Down Spring & Cup-Sec.
	2 #035-001-00		Shoe Hold Down Cup-Primary
	1 #046-006-00		Shoe Hold Down Spring-Primary
	1 #049-013-00		Shoe Hold Down Pin #1-Primary
	1 #049-002-00		Shoe Hold Down Pin #8-Sec.
7	K71-395-00	1	RH Shoe & Lining Kit Contains:
	1 #040-243-09		RH Primary Shoe & Lining
	1 #040-315-01		RH Secondary Shoe & Lining
	1 #046-077-00		Shoe Hold Down Spring & Cup-Sec.
	2 #035-001-00		Shoe Hold Down Cup-Primary
	1 #046-006-00		Shoe Hold Down Spring-Primary
	1 #049-013-00		Shoe Hold Down Pin #1-Primary
	1 #049-002-00		Shoe Hold Down Pin #8-Sec.
8	043-028-00	1	Adjuster Assembly
9	046-123-00	1	Adjusting Screw Spring
10	046-007-00	1	Adjuster Slot Plug
*11	006-193-00	5	Nut Washer Assembly
13	040-244-01	1	Shoe Lever
14	006-011-00	1	Locknut
15	007-210-00	1	Screw
16	005-064-00	1	Washer
17	046-108-01	1	Primary Shoe Return Spring
18	069-055-00	1	Retainer
19	047-110-01	1	LH Parking Lever and Pin
19	047-111-01	1	RH Parking Lever and Pin
20	047-119-01	1	Strut for Parking Brake
22	005-112-00	1	Washer
ns	054-089-00	1	Bleeder Screw (included with item #2)
*ns	071-515-00	1	Park Brake Cable

ns - not shown

\* Not included with complete brake assembly. Item sold separately.

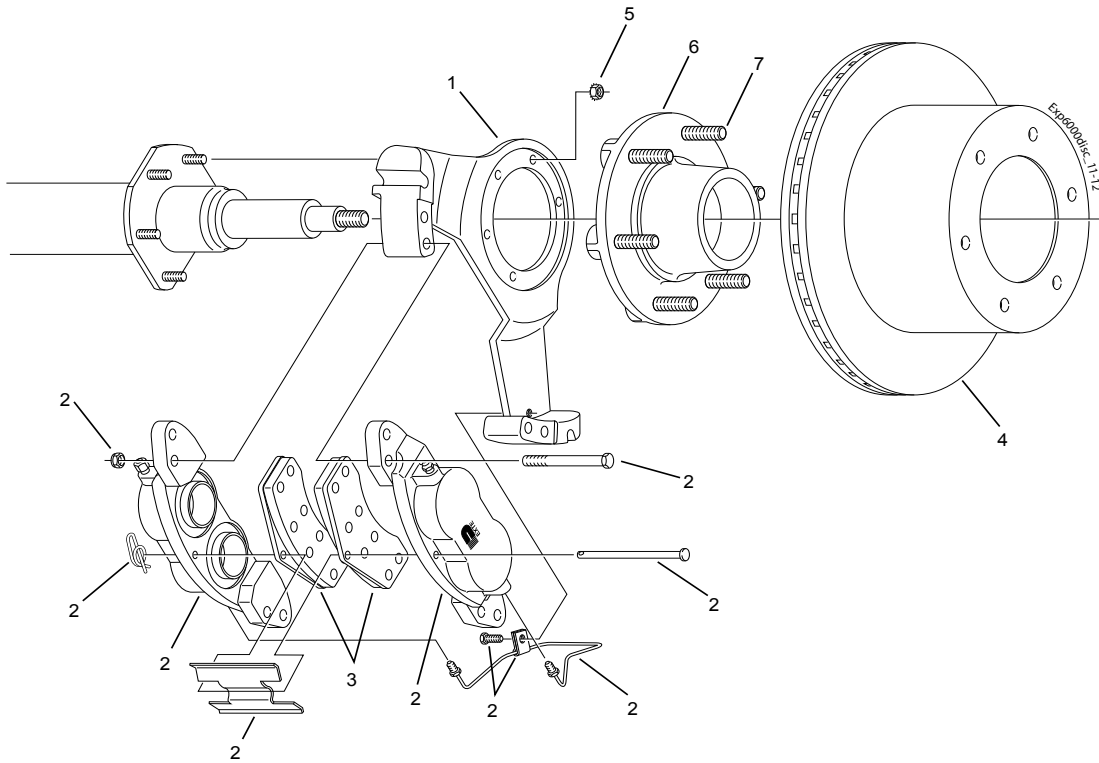
## Hydraulic Free Backing Parking Brake Corrosion Resistant

Item	Part No.	Qty/Brk	Description
0	K23-340-01	1	LH Complete Brake Assembly
0	K23-341-01	1	RH Complete Brake Assembly
1	036-093-17	1	LH Backing Plate Assembly
1	036-093-18	1	RH Backing Plate Assembly
2	054-064-01	1	LH Brake Cylinder Uni-Servo
2	054-065-01	1	RH Brake Cylinder Uni-Servo
3	054-060-00	1	Cylinder Push Rod
4	087-001-00	2	Sems (screw & washer assembly)
5	037-069-02	1	Travel Link
6	046-101-00	1	Retractor Spring
6A	046-107-03	1	Shoe Lever Return Spring
7	K71-427-00	1	LH Shoe & Lining Kit Contains:
	1 #040-243-06		LH Primary Shoe & Lining
	1 #040-315-06		LH Secondary Shoe & Lining
	1 #046-077-01		Shoe Hold Down Spring & Cup-Sec.
	2 #035-001-00		Shoe Hold Down Cup-Primary
	1 #046-006-01		Shoe Hold Down Spring-Primary
	1 #049-013-00		Shoe Hold Down Pin #1-Primary
	1 #049-002-00		Shoe Hold Down Pin #8-Sec.
7	K71-428-00	1	RH Shoe & Lining Kit Contains:
	1 #040-243-07		RH Primary Shoe & Lining
	1 #040-315-05		RH Secondary Shoe & Lining
	1 #046-077-01		Shoe Hold Down Spring & Cup-Sec.
	2 #035-001-00		Shoe Hold Down Cup-Primary
	1 #046-006-01		Shoe Hold Down Spring-Primary
	1 #049-013-00		Shoe Hold Down Pin #1-Primary
	1 #049-002-00		Shoe Hold Down Pin #8-Sec.
8	043-028-00	1	Adjuster Assembly
9	046-123-01	1	Adjusting Screw Spring
10	046-007-00	1	Adjuster Slot Plug
*11	006-193-00	5	Nut Washer Assembly
13	040-244-02	1	Shoe Lever
14	006-011-00	1	Locknut
15	007-210-00	1	Screw
16	005-064-00	1	Washer
17	046-108-03	1	Primary Shoe Return Spring
18	069-055-00	1	Retainer
19	047-110-01	1	LH Parking Lever and Pin
19	047-111-01	1	RH Parking Lever and Pin
20	047-119-01	1	Strut for Parking Brake
22	005-112-00	1	Washer
ns	054-089-00	1	Bleeder Screw (included with item #2)

# Disc Brake for 6,000 Lb. Axles



CSA approved at 6000#/14.3 SLR



## Disc Brake 6000#

Item	Part No.	Qty/Brk	Description
1	090-005-01	1	LH Anchor Yoke
1	090-005-02	1	RH Anchor Yoke (shown)
2	K71-636-00	1	Caliper Assembly Kit for LH or RH Contains:
	4 006-045-00		Caliper Mounting Nut
	4 007-254-00		Caliper Mounting Bolt
	1 019-019-00		Cotter Ring
	1 027-060-00		Tube Clamp
	1 046-145-00		Anti-Rattle Spring
	1 054-092-00		Bleeder Screw
	1 054-094-00		Adapter Fitting
	1 056-038-00		Pad Retaining Pin
	1 071-513-00		Cross Over Hydraulic Line (yokes without notch)
	1 071-517-00		Cross Over Hydraulic Line (yokes with notch)
	1 087-002-00		Hex Bolt
	2 089-005-02		Assembled Caliper Half
3	K71-629-00	1	Brake Pad Kit (axle set)
4	K71-637-00	1	Rotor Kit
5	006-193-00	5	3/8" Brake Mounting Nut-Washer Assembly

## Disc Brake Hubs & Studs

Item	Part No.	Qty/Brk	Description
6	008-403-05	1	Grease 1/2" Studs 6 on 5.50
7	007-262-00	6	1/2-20 x 2.70" Press-in Stud (hubs after 2/09)

## Disc Brake 6000# With 42MM Nev-R-Lube®

Item	Part No.	Qty/Brk	Description
1	090-006-01	1	LH Anchor Yoke
1	090-006-02	1	RH Anchor Yoke
2	K71-636-00	1	Caliper Assembly Kit for LH or RH Contains:
	4 006-045-00		Caliper Mounting Nut
	4 007-254-00		Caliper Mounting Bolt
	1 019-019-00		Cotter Ring
	1 027-060-00		Tube Clamp
	1 046-145-00		Anti-Rattle Spring
	1 054-092-00		Bleeder Screw
	1 054-094-00		Adapter Fitting
	1 056-038-00		Pad Retaining Pin
	1 071-513-00		Cross Over Hydraulic Line (yokes without notch)
	1 071-517-00		Cross Over Hydraulic Line (yokes with notch)
	1 087-002-00		Hex Bolt
	2 089-005-02		Assembled Caliper Half
3	K71-629-00	1	Brake Pad Kit (axle set)
4	K71-637-00	1	Rotor Kit
5	006-193-00	5	3/8" Brake Mounting Nut-Washer Assembly

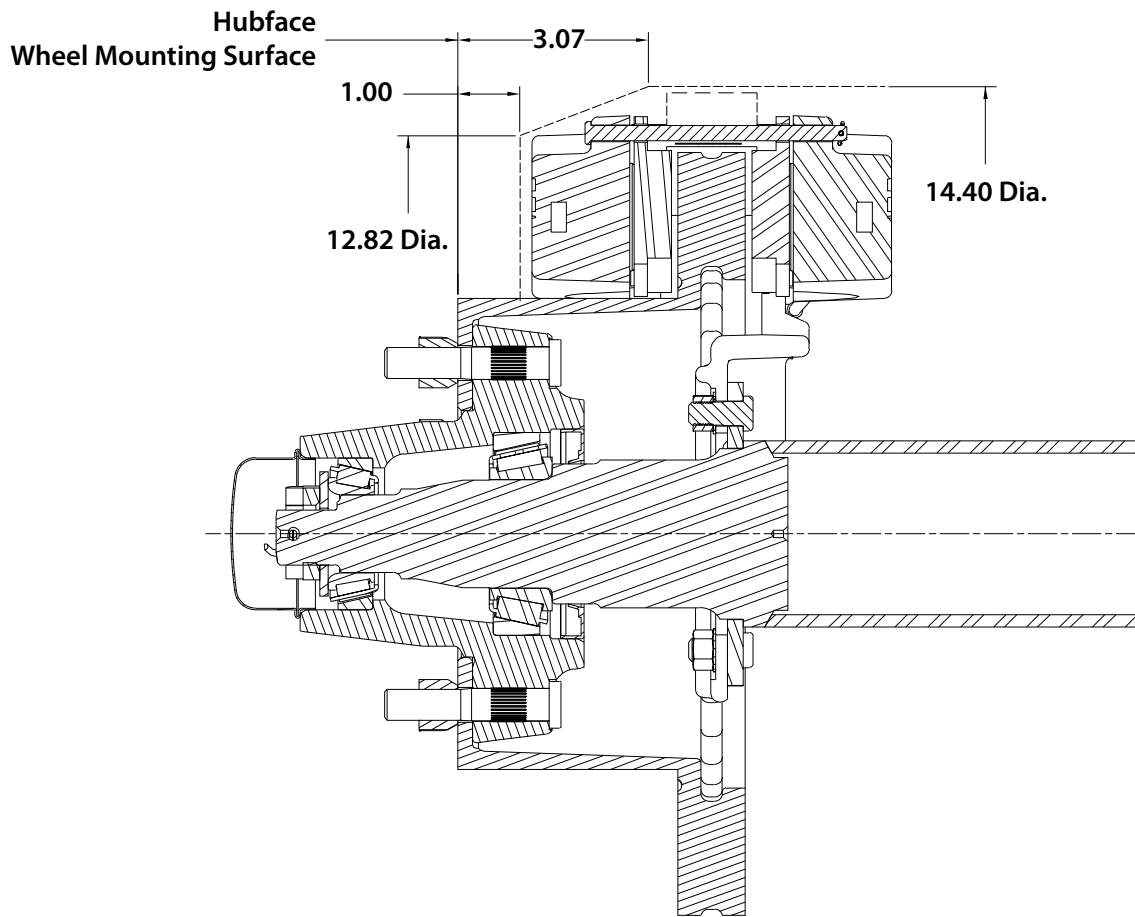
## Nev-R-Lube® Disc Brake Hubs

Item	Part No.	Qty/Brk	Description
6	008-404-80	1	1/2" Studs, 42mm 6 on 5.50
7	007-262-00	6	1/2-20 x 2.70" Press-in Stud (hubs after 2/09)

# Recommended Wheel Clearance for 6,000 Lb. Disc Brake



**5500 - 7000 LBS. CAPACITY**



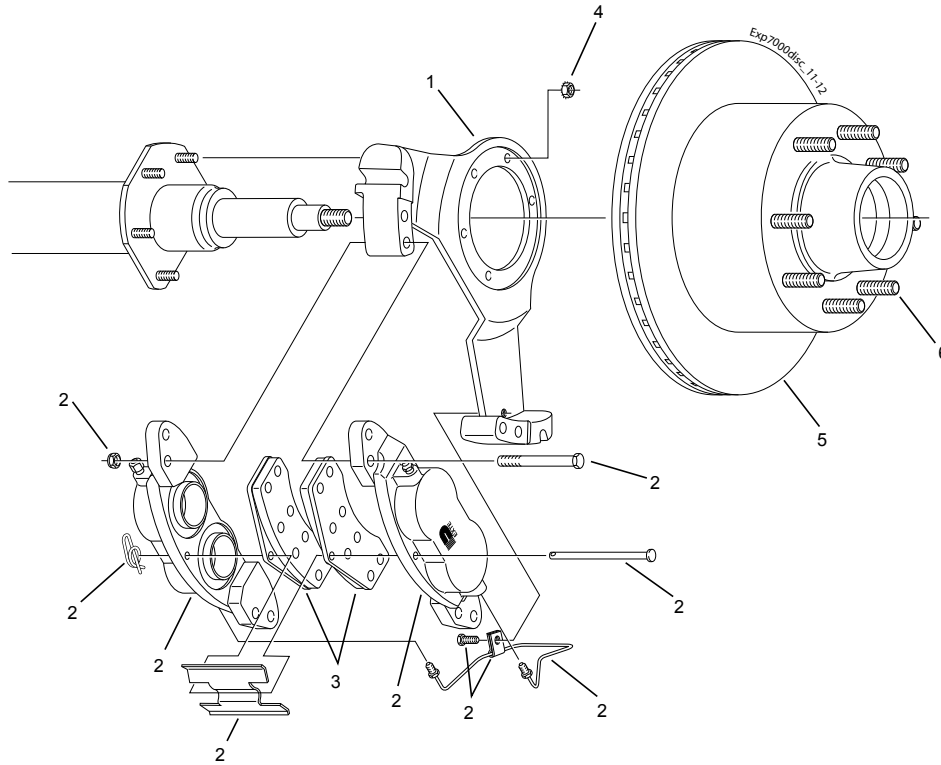
**CAUTION:** The above hub/rotor profile shows the minimum clearance needed to insure that no part of the wheel makes contact with any brake component.

Make sure the wheel is in full contact with the hub face and does not drag against the brake caliper. If there is not full contact with the hub face, you may experience a dangerous wheel separation.

# Disc Brake for 7,000 Lb. Axles



CSA approved at 7000#/14.0 SLR



## Disc Brake 7000#

Item	Part No.	Qty/Brk	Description
1	090-008-01	1	LH Anchor Yoke
1	090-008-02	1	RH Anchor Yoke (shown)
2	K71-693-00	1	Caliper Assembly Kit for LH or RH Contains:
	4 006-045-00		Caliper Mounting Nut
	4 007-254-00		Caliper Mounting Bolt
	1 019-019-00		Cotter Ring
	1 027-060-00		Tube Clamp
	1 046-145-00		Anti-Rattle Spring
	1 054-092-00		Bleeder Screw
	1 054-094-00		Adapter Fitting
	1 056-038-00		Pad Retaining Pin
	1 071-517-00		Cross Over Hydraulic Line (yokes with notch)
	1 087-002-00		Hex Bolt
	2 089-005-06		Assembled Caliper Half
3	K71-629-00	1	Brake Pad Kit (axle set)
4	006-193-00	5	3/8" Brake Mounting Nut-Washer Assembly

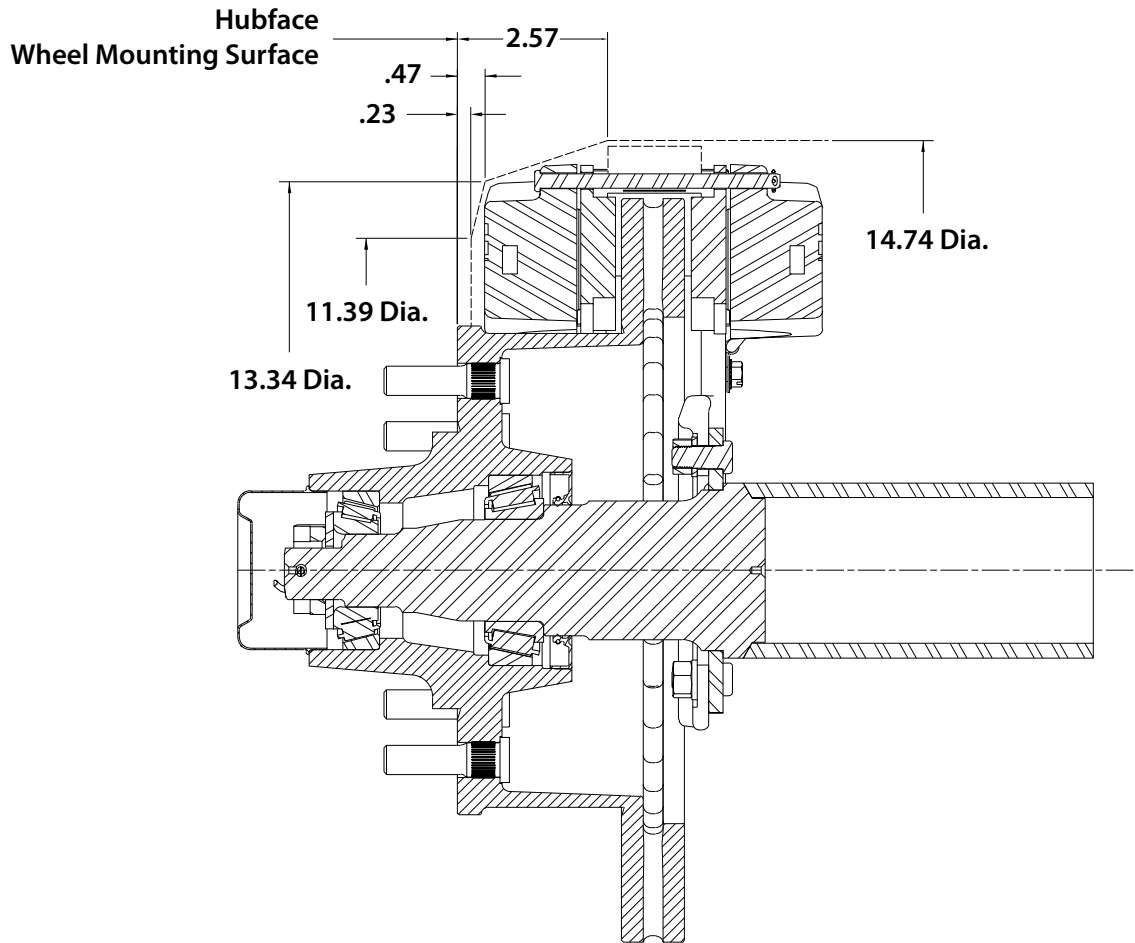
## Disc Brake Hubs & Studs

Item	Part No.	Qty/Brk	Description
5	008-416-10	1	Grease 1/2" Studs 8 on 6.50
	008-416-11	1	Oil 1/2" Studs 8 on 6.50
	008-416-12	1	Grease 9/16" Studs 8 on 6.50
	008-416-13	1	Oil 9/16" Studs 8 on 6.50
	008-416-14	1	Grease 5/8" Studs 8 on 6.50
	008-416-15	1	Oil 5/8" Studs 8 on 6.50
6	007-122-00	8	1/2-20 x 1.84" Press-in Stud
	007-223-00	8	9/16-18 x 2.01" Press-in Stud
	007-224-00	8	5/8-18 x 2.50" Press-in Stud

# Recommended Wheel Clearance for 7,000 Lb. Disc Brake



**5500 - 7000 LBS. CAPACITY**



**CAUTION:** The above hub/rotor profile shows the minimum clearance needed to insure that no part of the wheel makes contact with any brake component.

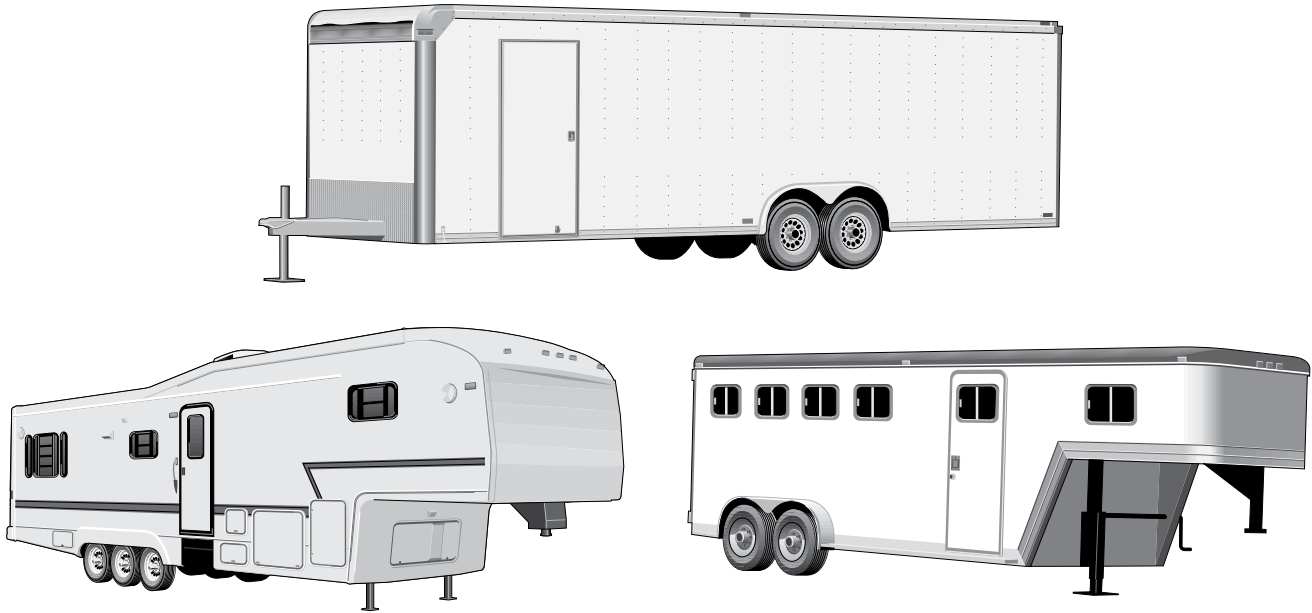
Make sure the wheel is in full contact with the hub face and does not drag against the brake caliper. If there is not full contact with the hub face, you may experience a dangerous wheel separation.



# AIRFLEX® Light Trailer Suspension System

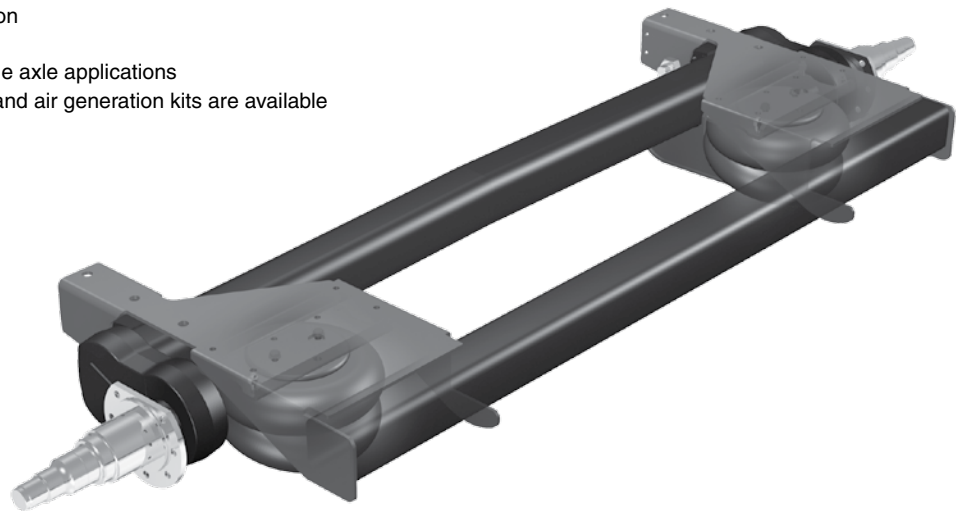


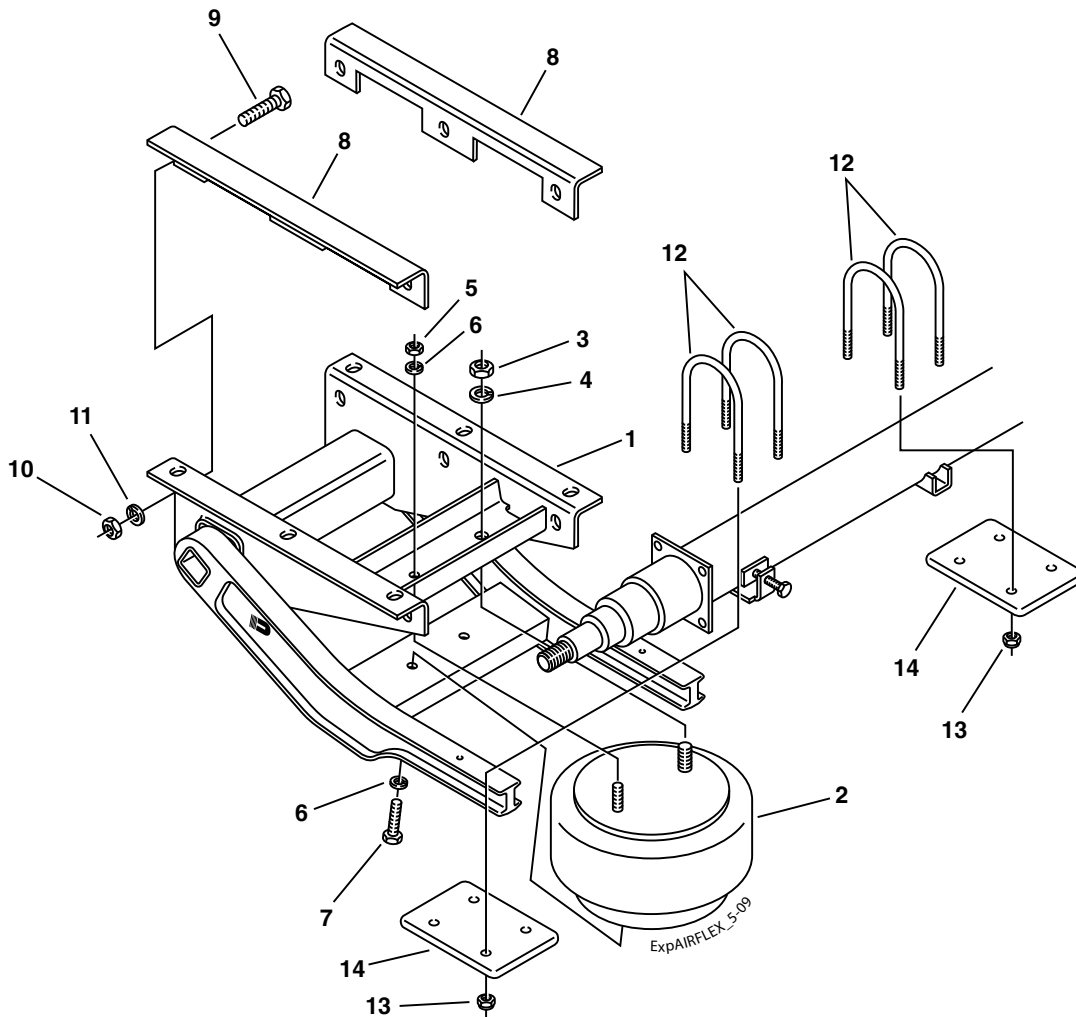
5500 - 7000 LBS. CAPACITY



## Smooth Out the Roughest Roads

- Soft Ride – New hybrid suspension combines air and rubber torsion for an excellent ride
- Independent – Ride and stability improve with independent wheel action
- Equalizing – Axle-to-axle load equalization allows use on triple axle trailers
- Reliable – Rubber cushions ride even if air is not available
- Maintains constant ride height for the ultimate ride
- Fully assembled for easy installation
- Adjustable axle alignment feature
- Available for single, tandem or triple axle applications
- Optional ride height control valve and air generation kits are available
- 2 year limited warranty





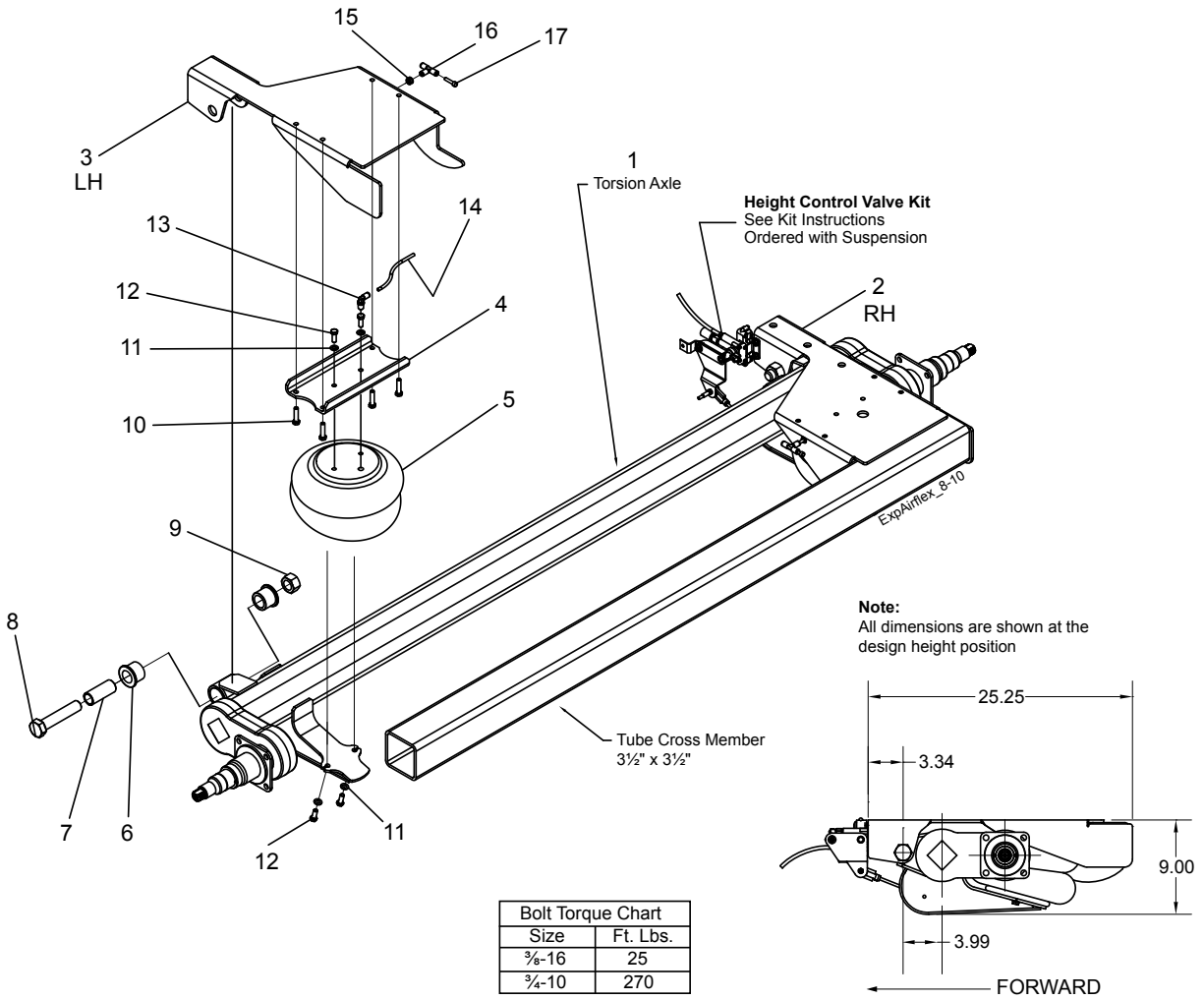
### AIRFLEX® Suspension Components 7000#

Item	Part No.	Qty/Axle	Description
1	003-272-00	1	LH Suspension Assembly (shown) (incl. items #2-11)
1	003-273-00	1	RH Suspension Assembly (incl. items #2-11)
<b>Air Spring &amp; Mounting Hardware</b>			
2	034-279-00	2	Air Spring
3	006-122-01	2	3/4\"-16 Jam Nut
4	005-143-00	2	3/4\" Lock Washer
5	006-116-00	2	1/2\"-13 Hex Nut
6	005-058-00	6	1/2\" Lock Washer
7	007-259-00	4	1/2\"-13 Hex Bolt
<b>Suspension Mounting Hardware</b>			
8	003-261-00	2	Side Mount Bracket
9	007-177-00	6	5/8\" Mounting Bolt
10	006-126-00	6	5/8\" Locknut
11	005-111-00	6	5/8\" Washer
<b>Axle Attaching Hardware</b>			
12	011-090-01	8	3/4\" U-Bolt
13	006-113-00	16	3/4\" Locknut
14	012-065-01	4	Tie Plate
<b>Air Supply Kits</b>			
ns	K71-632-01	-	Tandem Plumbing Kit with Ride Height Control Valve
ns	K71-632-02	-	Air Generation Kit (includes compressor and tank)
ns	K71-632-03	-	Manual Dump Valve Kit
ns	K71-632-04	-	Tri-Axle Conversion Plumbing Kit

ns - not shown

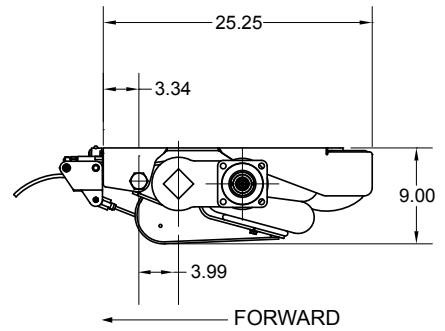


**5500 - 7000 LBS. CAPACITY**



Size	Ft. Lbs.
3/8-16	25
3/4-10	270

**Note:**  
All dimensions are shown at the design height position



## AIRFLEX® Suspension Components 7000#

Item	Part No.	Qty/Axle	Description
1	n/a	1	Torsion Axle with Suspension Brackets
2	003-327-00	1	RH Frame Bracket
3	003-326-00	1	LH Frame Bracket
4	003-323-00	2	Channel, Air Spring Support
5	W01-358-6947	2	Firestone Air Spring
6	014-123-00	2	Pivot Bushing Kit
7	014-127-00	2	Bushing Spacer/Liner
8	n/a	2	3/4-10 UNC x 4.5" LG HHCS
9	n/a	2	3/4-10 UNC Stover Lock Nut
10	n/a	8	3/8-16 UNC x 1.5" LG HHCS
11	n/a	8	3/8 Regular Split Lock Washer
12	n/a	8	3/8-16 UNC x 1" LG HHCS
13	n/a	2	1/4 NPTM x 1/4 T 90° Elbow, Swivel
14	n/a	2	1/4 x 6.25" LG Nylon Tube
15	n/a	2	Grommet
16	n/a	2	1/4 T Union Tee
17	n/a	2	1/4 T Plug
<b>Air Supply Kits</b>			
ns	K71-692-01	-	Ride Height Control Kit
ns	K71-692-02	-	Air Supply and Control Kit
ns	K71-692-03	-	Air Control Kit Without Air Supply
ns	059-809-00	-	Installation Instructions (available on Dexter website)

n/a - not available

ns - not shown